



SERVING YOU FROM
HULL, IA & WATERTOWN, SD

**PRODUCT CATALOG FOR
WASTE HANDLING EQUIPMENT**

3115 320th Street
Hull, IA 51239

Toll Free (866) 918-2081 • (712) 439-2081

3516 9th Avenue SW
Watertown, SD 57201

Toll Free (844) 863-6554 • (605) 753-0300

www.automatedwastesystems.com

AUTOMATED WASTE SYSTEMS, LLC

YOUR LIQUID AND DRY MANURE SPECIALISTS

About our Company

Automated Waste Systems opened on January 2, 2002. Our goal was simple, quickly become the leader for manure handling in NW Iowa. Our primary focus was with GEA Houle manure handling equipment, but have since added Bazooka Farmstar, Artex, Doda, Haybuster, Nuhn, Kifco, Waste Away, Valley Irrigation equipment, Vertical Till Injector, and DSI (Dietrich Slurry Injection) to make AWS one of the areas most knowledgeable and experienced dealers in manure handling.

Automated Waste Systems is your liquid and dry manure systems specialists. We offer a complete line of manure handling equipment to meet just about every need. Whether you are looking for liquid manure tanks, manure scraper systems in dairy barns, manure pumps, complete drag hose systems, pit additives, or a dry box spreader (commercial or farm duty) AWS can help.

We also offer the latest in technology for these products from complete flow control systems with GPS capabilities, to scale systems for the dry box spreaders.

Due to our remarkable growth and success, in May of 2015 AWS opened it's 2nd location. We are now serving you in Watertown, South Dakota.

The staff at AWS continues to grow to support your needs and sincerely appreciates the chance to serve you. At AWS Honesty, Integrity, & Appreciation is our Mission.

Check out our website at:

www.automatedwastesystems.com

Equipment updated daily • Links to pictures & videos of our equipment
Sales & promotions

You can also visit us on these Social Media platforms:



Search for
Automated Waste Systems LLC



<https://twitter.com/AWSLLC2>



www.facebook.com/automatedwastesystems

AWS, LLC MERCHANDISE RETURN POLICY

It is the policy of AWS, to accept merchandise returned from customers.

All returned merchandise must be in salable condition, clean and free from damage.

1. Salable condition means a condition you would accept if the merchandise were shipped to you.
2. All returns must be accompanied by the invoice number.
3. The following restocking and processing charges will apply on all returned merchandise.
 - Merchandise returned within 30 days of invoice date will not be charged processing and restocking charge but has to be in salable condition..
 - Merchandise returned after 30 days but within 90 days of invoice date will be assessed a 15% processing and restocking charge (invoice cost less 15%).
 - Merchandise after 90 days but within 180 days will receive a 25% discount.
4. At the time of delivery, any shortages, errors, or damage in shipment must be noted by the driver on delivery ticket.
5. Once merchandise is signed for, any concealed damage or shortage must be reported within 48 hrs. Concealed damage or shortage include those noticed when merchandise is being put away.
6. Returns will not be allowed under the following conditions.
 - Merchandise is older than 180 days.
 - Non-stock special order materials.
 - Merchandise not in salable condition.

All merchandise returns must be authorized by an AWS, LLC employee.

The intent of these guidelines is to expedite and streamline the process of issuing credit for the returned merchandise and reduce the overall cost of returning merchandise.

Parts Depots to serve you better:

John Richter Repair

(712) 299-2463

1266 540th St, Storm Lake, IA

Naberhaus Implement Co.

Leon (712) 830-9312 or Shop (712) 658-2531

214 W 2nd St, Halbur, IA

Whittemore Truck & Trailer

Byron or Phil (515) 295-9574

601 Hwy 18, Algona, IA

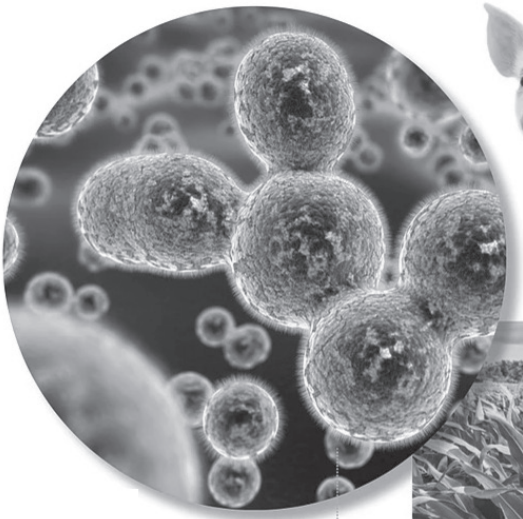




**MAXIMIZE
YOUR INVESTMENT.**

- ✓ Increase nitrogen availability and uptake
- ✓ Manage nitrogen during key growth stages
 - ✓ Reduce nitrogen loss
- ✓ When used with UAN, urea, or Anhydrous pay a per unit of nitrogen price rather than per acre price
 - ✓ Substantial cost reduction vs leading products on the market
 - ✓ Mode of action has no detrimental impact on soil bacteria
 - ✓ Non-corrosive
- ✓ Can be applied & agitated directly into manure pit, no need to inject through load stand

WASTE AWAY



BENEFITS

- DIGEST SLUDGE & CRUST
- IMPROVE NUTRIENT VALUE
- REDUCE ODOR
- REGAIN HOLDING CAPACITY
- REDUCE AGITATION TIME & COST
- MINIMIZE FLY POPULATIONS



The Waste Away manure treatment systems provides the one-two punch against the biological imbalance that causes challenges in production-animal waste storage.



LOADSTAND

Our loadstands are made in-house at our Hull, Iowa location. All loadstands are constructed using galvanized steel tubes and a steel frame for strength and stability. Each of them use a heavy rubber spout that won't move around while filling, and won't suck up when the pto is stopped. Available in both 8" and 10", and a length of 35', these loadstands have handles to make them moveable by one person. The height of the loadstand is easily adjustable for transportation and filling, and has a solid lock at multiple heights for safety and stability. They come standard with a male (ball & ring) fitting attached to a 4-bolt flange that could be easily switched to accommodate almost any hose end. Our loadstands also come with new wheels and tires to make sure you get to the next site without any problems.

CAB CAM



CabCAM™ Camera Observation System can give you the edge you need. With its 3 camera capability, the A-CC7M1C system has unlimited application possibilities. The CabCAM™ camera system's cameras are ruggedly constructed to withstand wet, rough, and dusty conditions. This infrared, easy-to-mount camera provides excellent wide-angle, night vision allowing users to see and work more safely and efficiently. The system is complete with everything necessary to install and operate a single camera system.

REMOTE LOAD

Control the agitation pump from the comfort of your tractor cab. The Remote Load hand held remote allows you to pull your tank under the load stand, push a button, and fill. When the tank is full, simply push another button and head to the field.



TRASH HOPPER

Our hydraulic trash hoppers are designed to reduce downtime and save you money by keeping trash from damaging components and plugging injectors. Simply dump the basket between fills, from the comfort of your cab, to prevent foreign objects from making their way through impeller and distributor, resulting in expensive repairs. The trash hoppers are available for both Houle and Nuhn tanks, and painted to match.



TOYS TANKS, LOADSTANDS & HAYBUSTER BALE PROCESSOR



We sell Houle toy tanks, loadstands and a Haybuster Bale Processor.

All toys are 1/16 Scale.

TABLE OF CONTENTS


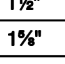
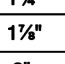
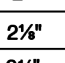
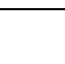


| | |
|---|------------------|
| Houle Liquid Spreader and Toolbars..... | 7-24 |
| Hitch..... | 7 |
| Drawbar..... | 8 |
| Steering Mechanism..... | 9 |
| Steering Knuckle, brake, axle & hubs..... | 10-14 |
| Bearing housings & impellers..... | 14-15 |
| Discharge pipe..... | 16 |
| Rotative valve, directional valve, spreading nozzle..... | 17 |
| Rear drain & fill indicator..... | 18 |
| Flowregulator, manual valve & support for standard distributor..... | 19 |
| Standard distributor..... | 20 |
| Wings/Folding Ends..... | 21 |
| 22" Concave disk incorporator..... | 21 |
| Dietrich Toolbar..... | 22 |
| VTI Toolbar..... | 23 |
| Farmstar Toolbar..... | 24 |
| 3 Pt Pumps..... | 25-29 |
| 6" Super Pump..... | 25 |
| Gearbox #200 for 6" Super Pump..... | 26 |
| Bearing Housing for 6" Super Pump..... | 26 |
| 6" & 8" Directional Valve..... | 27 |
| Gearbox #250 for 8" Super Pumps..... | 27 |
| Bearing Housing for 8" Super Pump..... | 28 |
| Oil Cooling System & Grease Line for 8" Super Pump..... | 29 |
| Lagoon Pumps..... | 30-34 |
| Lagoon Pump Hitch & Driveline Tube..... | 30 |
| Hub & Spindle..... | 30 |
| Gearbox #300 - Agi-Pump..... | 31 |
| Propeller, Imeppler, Housing & Bottom Plate..... | 32 |
| 6" Directional Valve & Agitation Nozzle..... | 33 |
| Hydraulic Control..... | 34 |
| Electric Pumps..... | 35-50 |
| 3" Regular Pump - Oil Bath - Upper Section..... | 35 |
| 3" Regular Pump - Oil Bath - Lower Section..... | 36 |
| 3" Compact Pump - Oil Bath - Lower Section..... | 36 |
| 3" High Pressure Pump - Oil Bath - Lower Section..... | 37 |
| 4" Pump for Hog Manure - Upper Section..... | 38 |
| 4" Pump for Hog Manure - Lower Section..... | 39 |
| 4" Pump for Hog Manure - Agitation Nozzle..... | 40 |
| 4" Pump for Liquid Dairy Manure - Upper Section..... | 41 |
| 4" Pump for Liquid Dairy Manure - Lower Section..... | 42 |
| 4" High Pressure Pump - Upper Section..... | 43 |
| 4" High Pressure Pump - Lower Section..... | 44 |

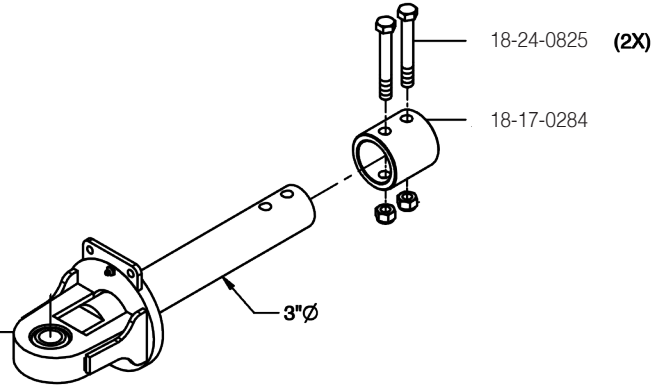


| | |
|---|--------------|
| Electric Pumps..... | Con'd |
| 4" Agi-Pump - Gear Box and Propeller..... | 45 |
| 4" Agi-Pump - Impeller and Housing..... | 46 |
| Gear Box #300..... | 47 |
| 4" Agi-Pump - Agitation Nozzle..... | 48 |
| 8" Flush Pump - Lower Section..... | 49 |
| Bearing Housing..... | 50 |
| Electric Pumps - Pontoon Parts..... | 51-55 |
| 3" High Pressure Pump..... | 51 |
| 4" High Pressure Pump - Single Motor..... | 52 |
| 4" High Pressure Pump - Impeller and Housing..... | 53 |
| 8" Flush Pump - Single Motor..... | 54 |
| 8" Flush Pump - Impeller and Housing..... | 55 |
| DodaPumps..... | 56-61 |
| Super 150 Pump..... | 56 |
| Agitation Valve and Nozzle..... | 57 |
| Agitation Crank and Gear Box..... | 58 |
| AFI Gear Box..... | 59 |
| AFI Primer..... | 60 |
| AFI Impeller and Housing..... | 61 |
| Nuhn Pumps & Crawlers..... | 62-70 |
| Top End Assembly..... | 62-63 |
| Gearbox Shield Assembly..... | 64-65 |
| Bottom Housing..... | 66 |
| 8ft Drive Tube Assembly..... | 67 |
| Cast Housing Upgrade Kit..... | 68 |
| Pump Module Detail..... | 69 |
| Belt Tensioner Assembly..... | 70 |
| Artex Spreaders..... | 71-75 |
| CB/SB Pull Type Spreaders | |
| CB Rear View & Front View Apron Chain..... | 71 |
| CB Standard Gear Box..... | 72 |
| SB Rear View & Front View Apron Chain..... | 73 |
| SB Vertical Beater Gear Box..... | 74&75 |
| Haybuster..... | 76-77 |
| 2650 & 2655 Rotor Assembly..... | 76 |
| 2650 & 2655 Conveyor Assembly..... | 77 |
| Hardware & Accessories..... | 78-80 |
| Elbows, Weldable Fittings..... | 78 |
| Fittings and hose..... | 79 |
| Accessories..... | 80 |

LIQUID MANURE SPREADER - EL48

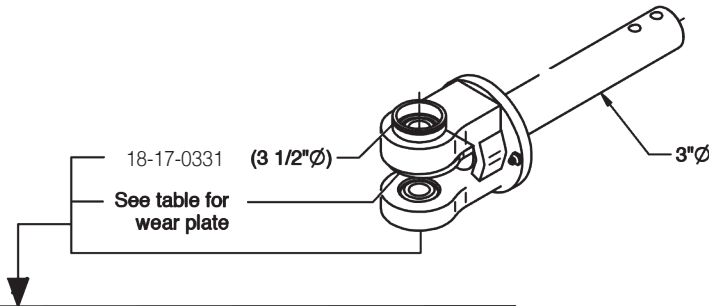
SINGLE HITCH


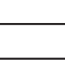
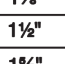
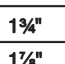
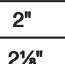
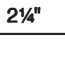



| EL48 3200 - 7900 gal (UK) 3850 - 9500 gal (US) 14550 - 35900 l (according to hole diameter) | |
|--|------------|
| Top View | Part # |
|  | 18-77-0442 |
|  | 18-77-0443 |
|  | 18-77-0444 |
|  | 18-77-0445 |
|  | 18-77-0446 |
|  | 18-77-0447 |
|  | 18-77-0448 |

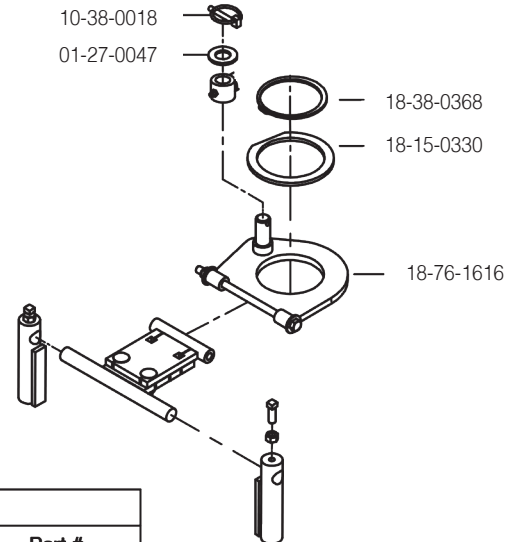



LIQUID MANURE SPREADER - EL48

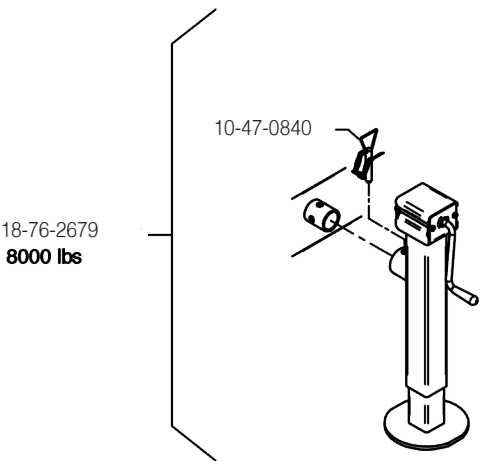
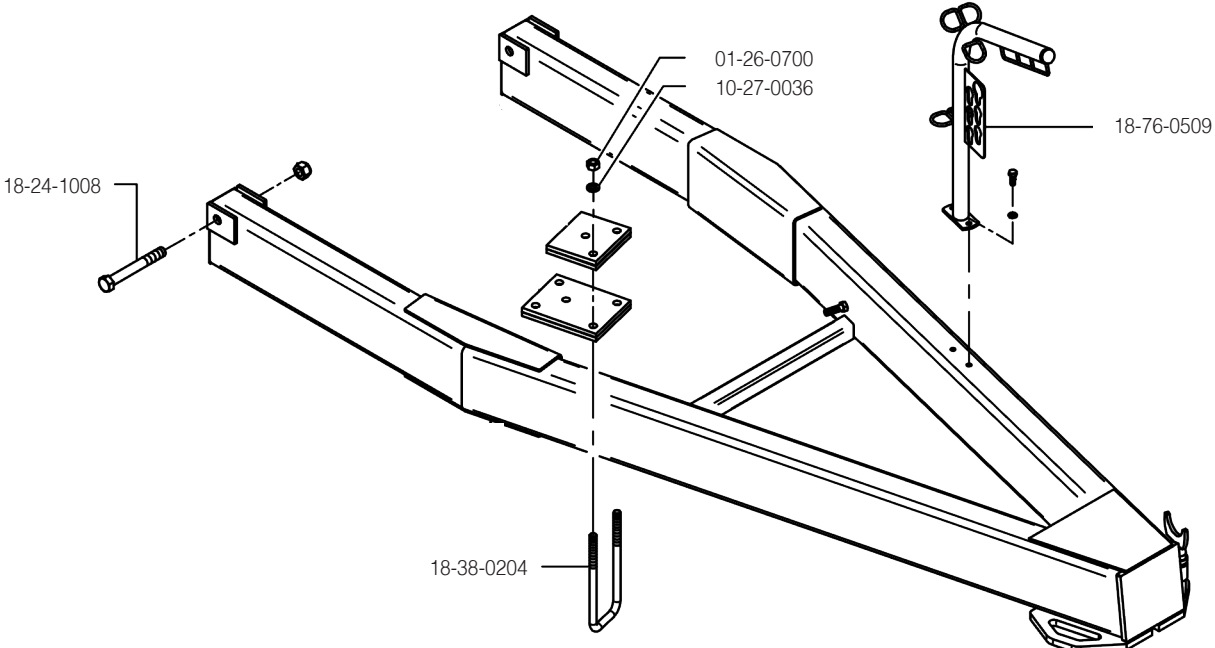
DOUBLE HITCH AND POWER STEERING GUIDE



| EL48 6100 - 7900 gal (UK) 7300 - 9500 gal (US) 27750 - 35900 l (according to hole diameter) | | | |
|--|----------------------------|------------------------|-------------------------|
| Top View | Part # (2 1/2" opening) | Part # (3" opening) | Wear plate |
|  | | | 18-15-4165 (1 1/2"Ø) |
|  | 18-77-0432 | 18-77-0451 | |
|  | 18-77-1515 | 18-77-0452 | |
|  | 18-77-0433 | 18-77-0453 | 18-15-4250 (2 1/4"Ø) |
|  | 18-77-0434 | 18-77-0454 | |
|  | 18-77-0435 | 18-77-0455 | |
|  | 18-77-0436 | 18-77-0456 | |
|  | 18-77-0437 | 18-77-0457 | |
|  | 18-77-0438 | 18-77-0458 | |

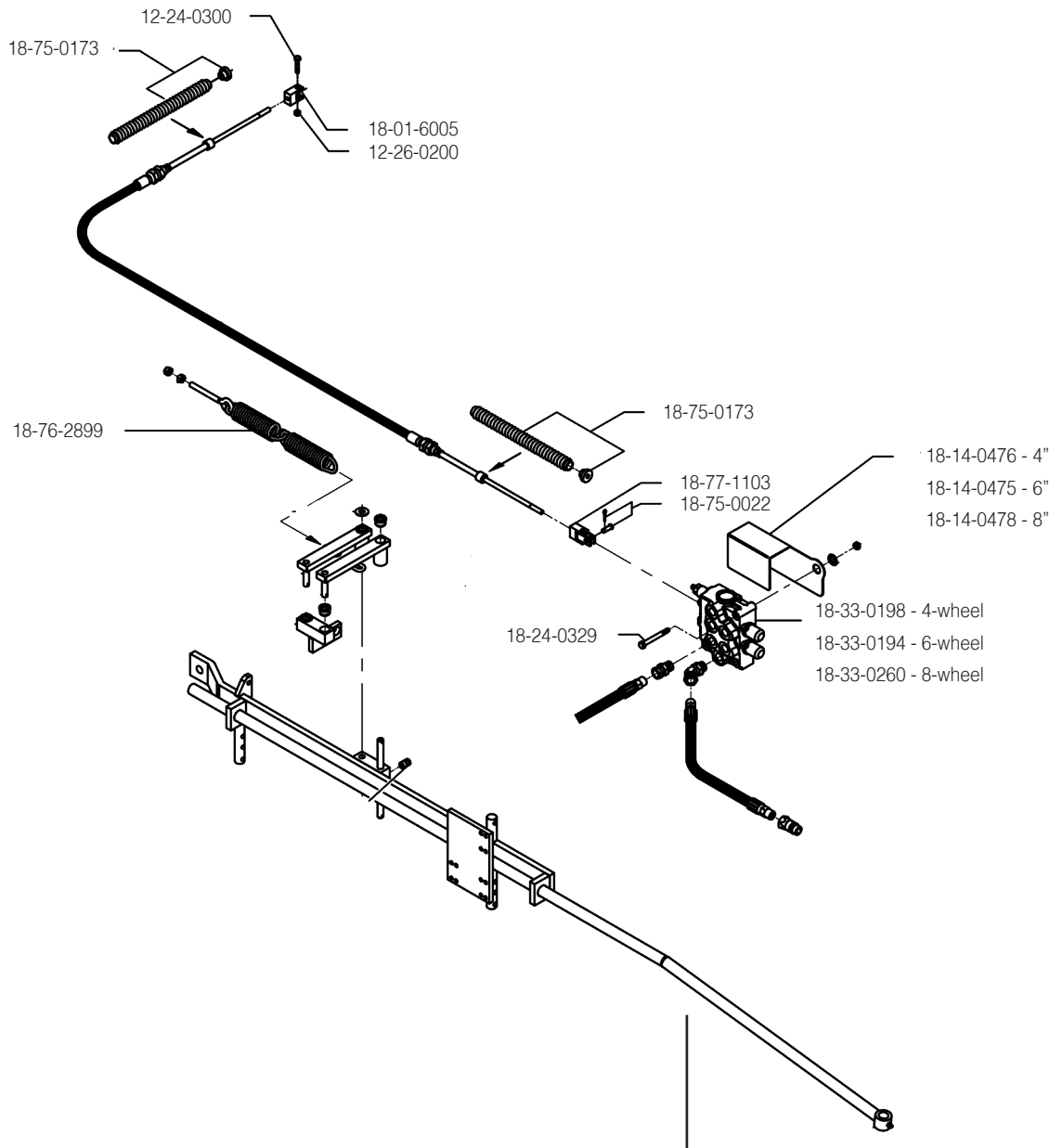


| Pin Identification | | | |
|---|--------------|---------------|------------|
| | Pin diameter | Hole diameter | Part # |
|  | Ø 1 3/8" | Ø 1 1/2" | 18-38-0244 |
| | Ø 1 1/2" | Ø 1 5/8" | 18-38-0246 |
| | Ø 1 7/8" | Ø 2" | AWS1258 |
| | | | |



LIQUID MANURE SPREADER - EL48

POWER STEERING MECHANISM

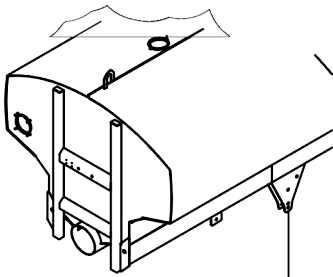


| EL48-6D | |
|--------------|------------|
| Single hitch | 18-76-3360 |
| Double hitch | 18-76-1742 |

LIQUID MANURE SPREADER - EL48

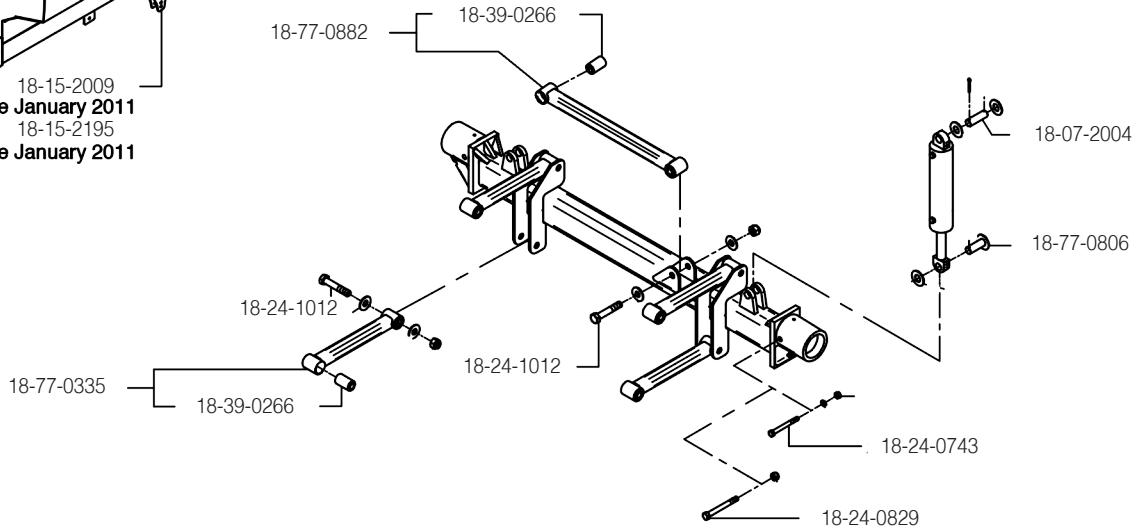
STANDARD AXLE

Not compatible with triple caliper brake, air brakes and 850 tire model.
(Refer to Axle with truss)

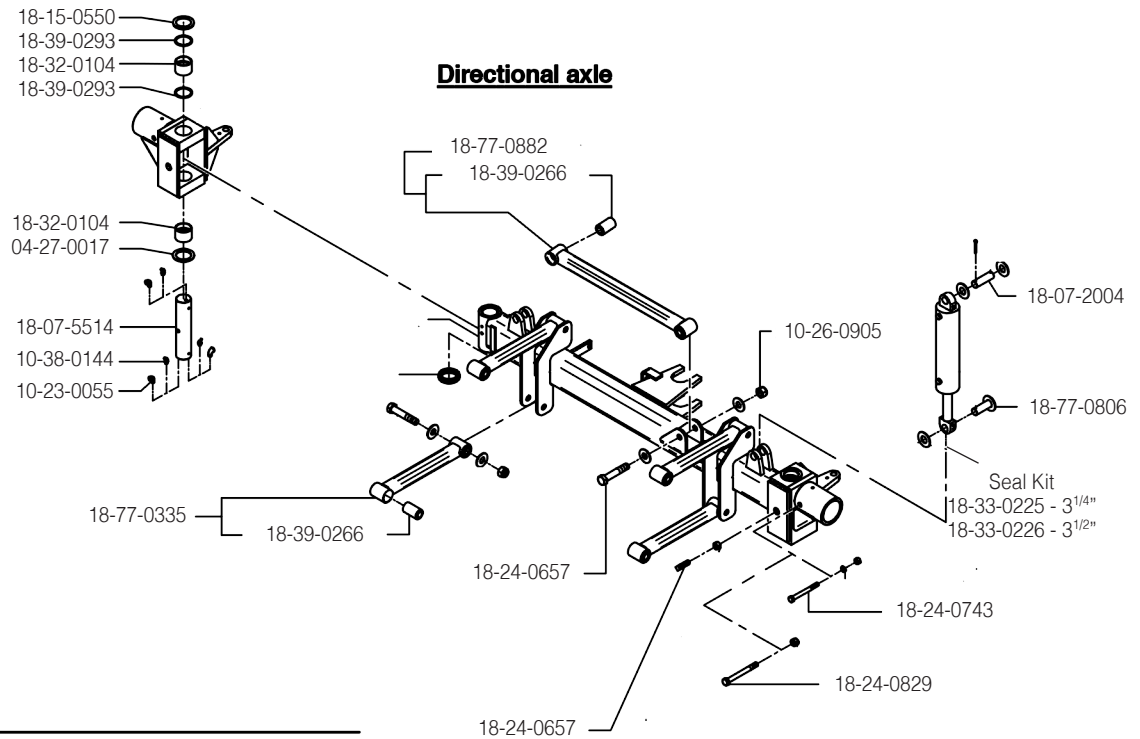


18-15-2009
Since January 2011
18-15-2195
Before January 2011

Non-directional axle

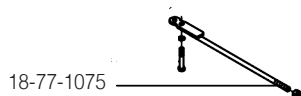


Directional axle



AXLE WITH TRUSS

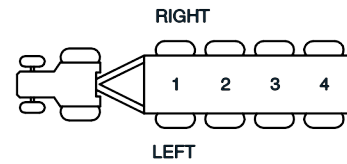
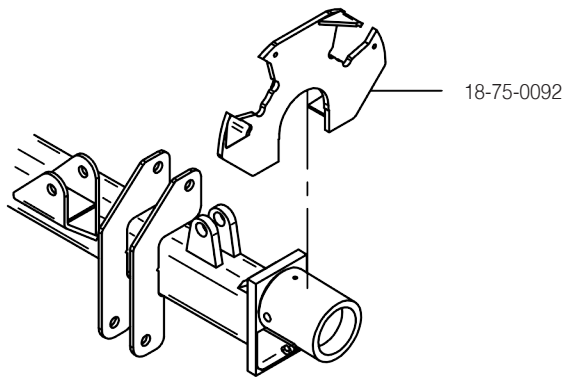
Mandatory with triple caliper brake, air brake and 850 tires model.



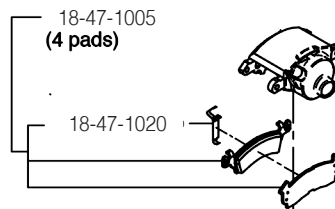
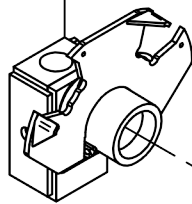
LIQUID MANURE SPREADER - EL48

STEERING KNUCKLE, BRAKE, AXLE AND HUB SINCE SEPTEMBER 2014

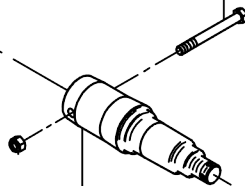
Serial no reference: since CA11-1408940



18-75-0045
Left
18-75-0044
Right
(Double brake
for $\varnothing 17 \frac{3}{8}$ " brake disc)



18-24-0829

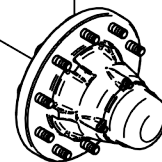


18-02-9252

18-24-0800

18-40-0096
 $\varnothing 17 \frac{3}{8}$ "

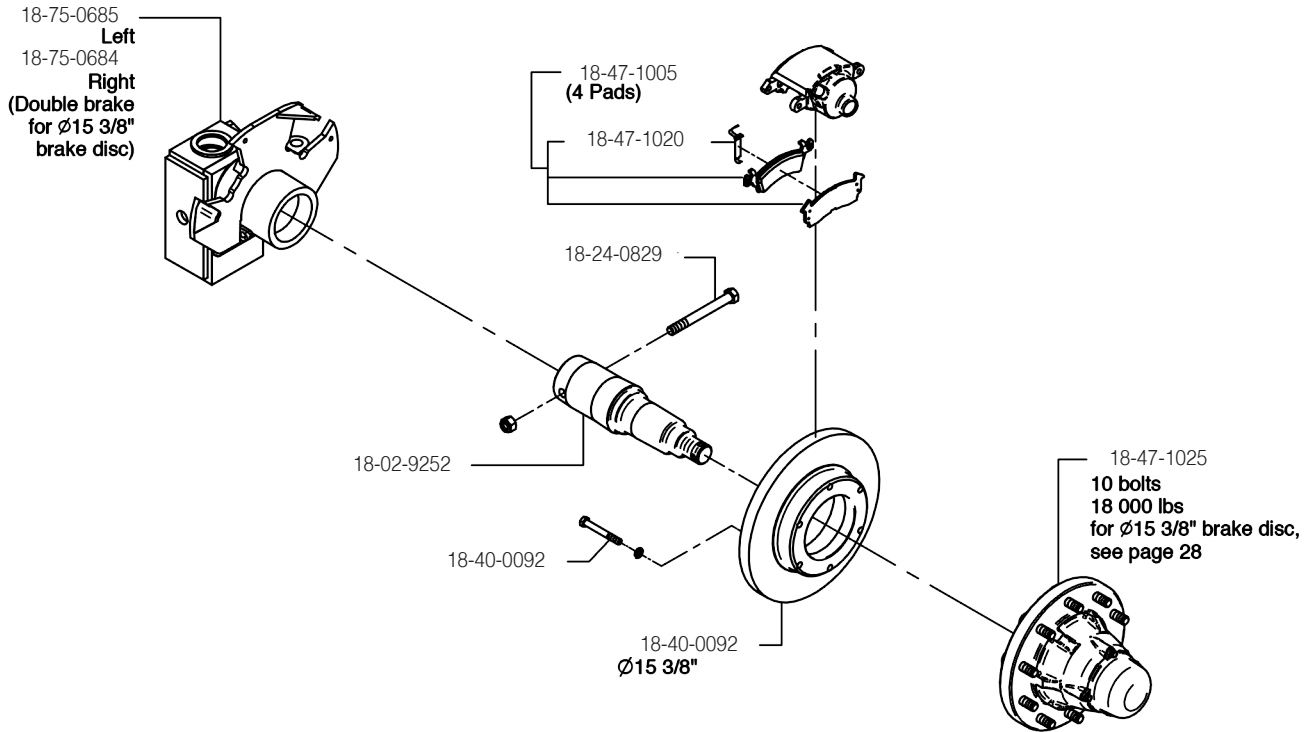
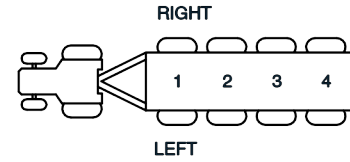
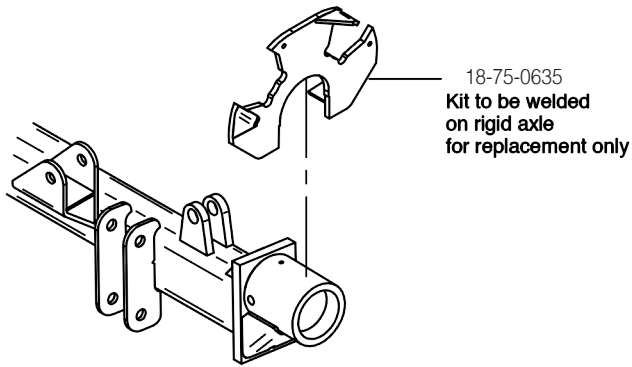
18-47-1069
10 bolts
18 000 lbs
for $\varnothing 17 \frac{3}{8}$ " brake disc



LIQUID MANURE SPREADER - EL48

STEERING KNUCKLE, BRAKE, AXLE AND HUB FROM JUNE 2006 TO SEPTEMBER 2014

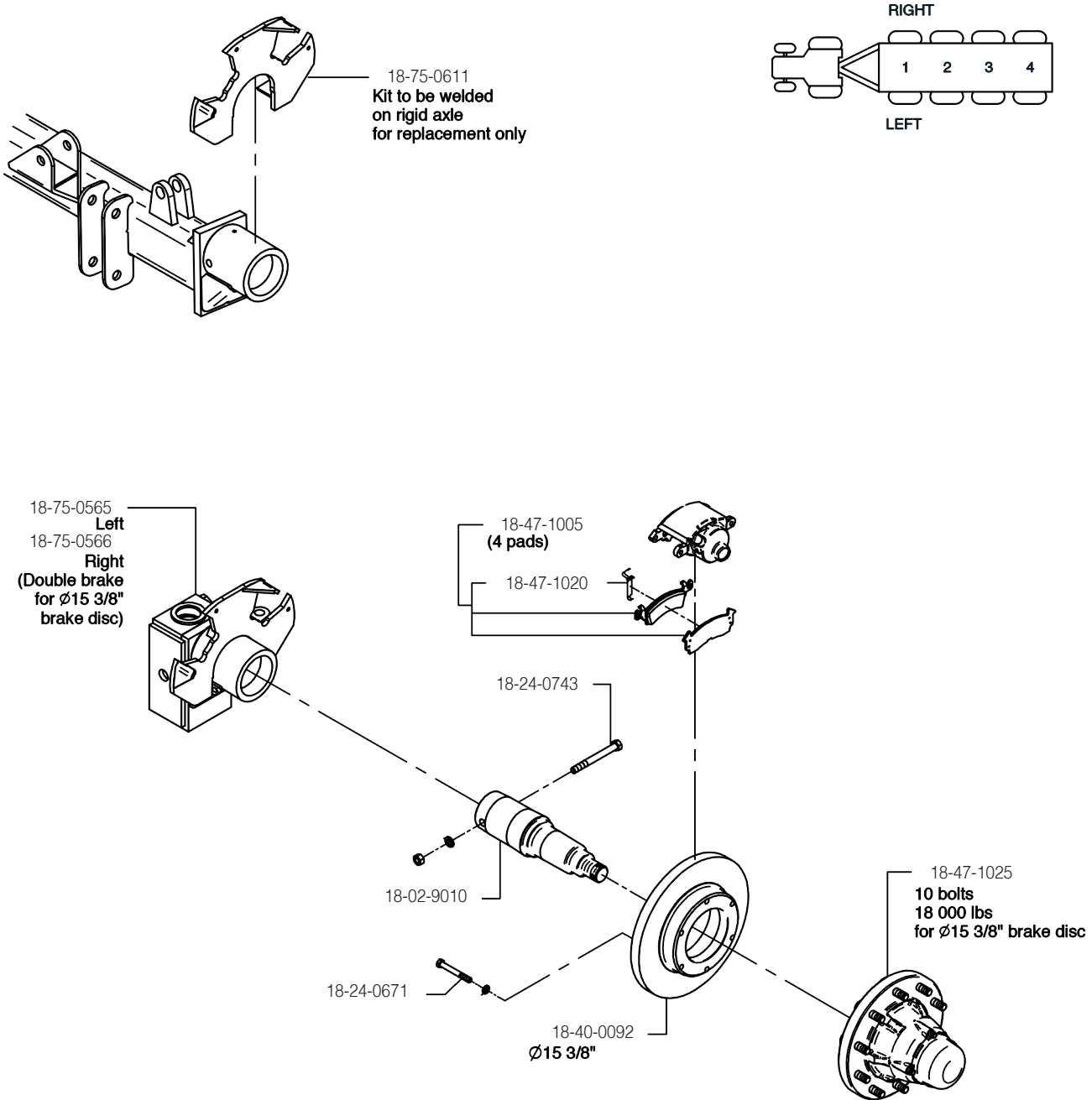
Serial no reference:1801-065650 @ CA11-1408940



LIQUID MANURE SPREADER - EL48

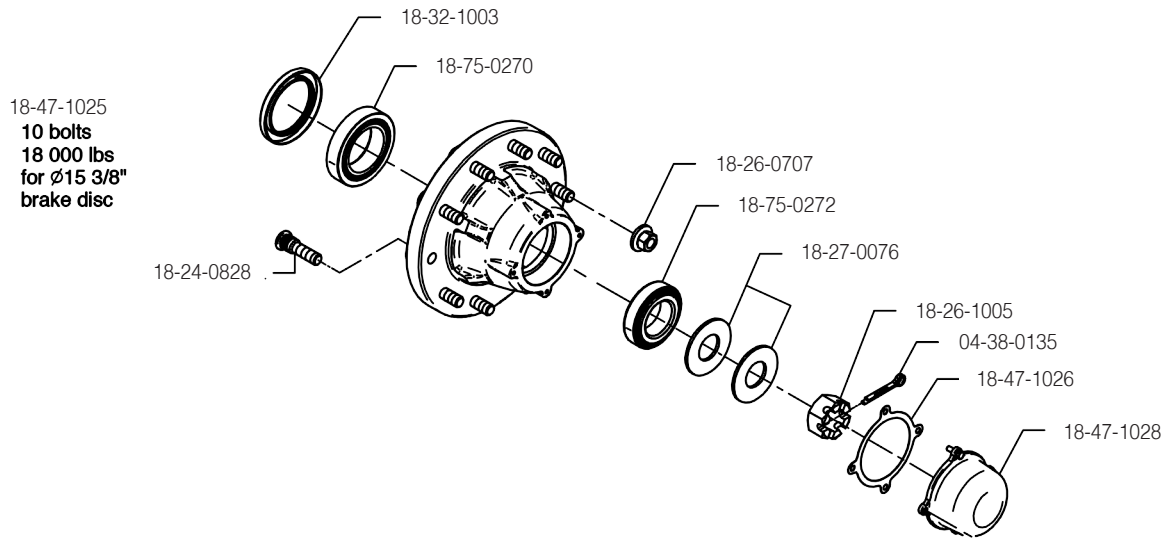
STEERING KNUCKLE, BRAKE, AXLE AND HUB FROM JUNE 1995 TO JUNE 2006

Serial no reference: 95-783 @ 1801-065649



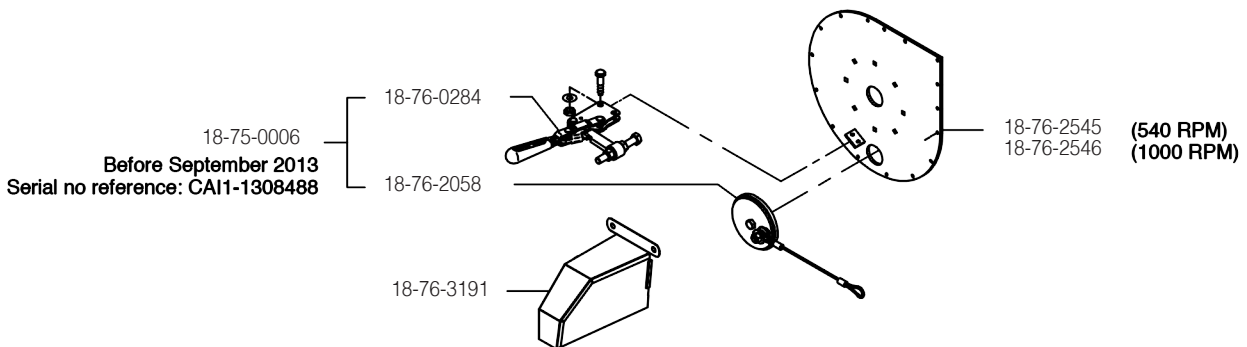
LIQUID MANURE SPREADER - EL48

DISC BRAKE HUB



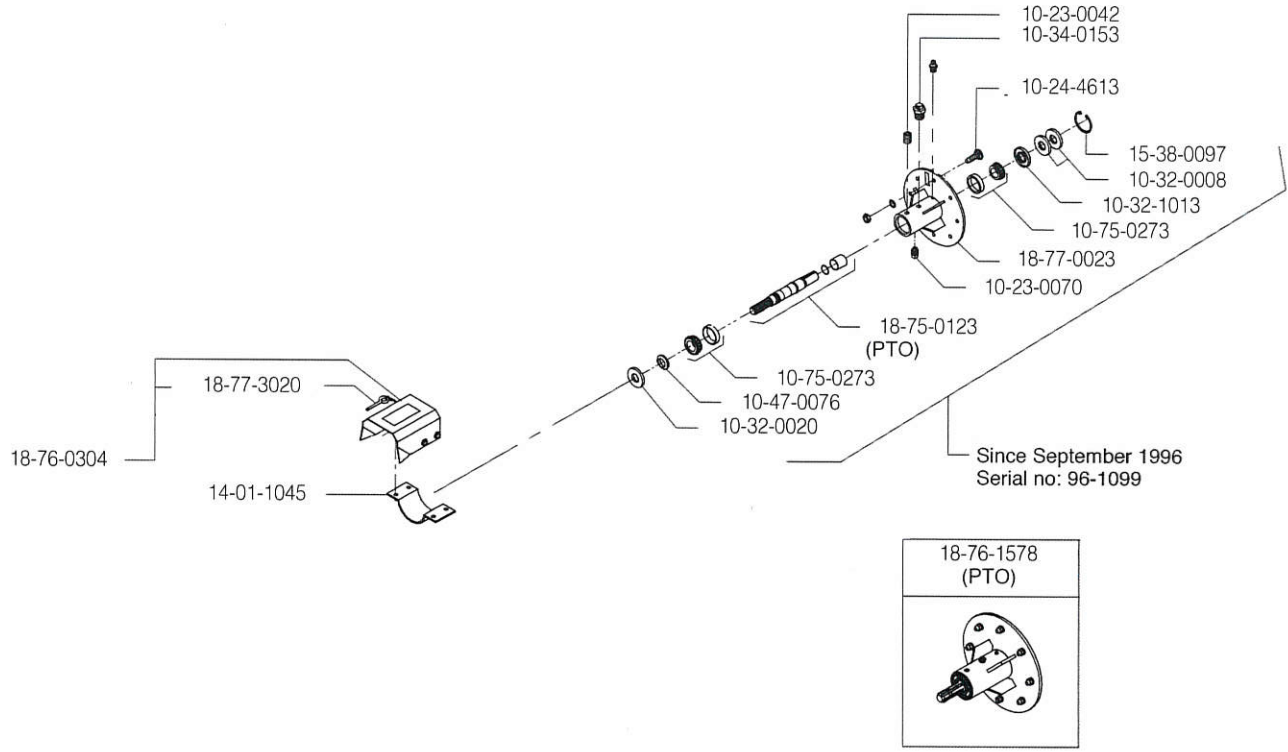
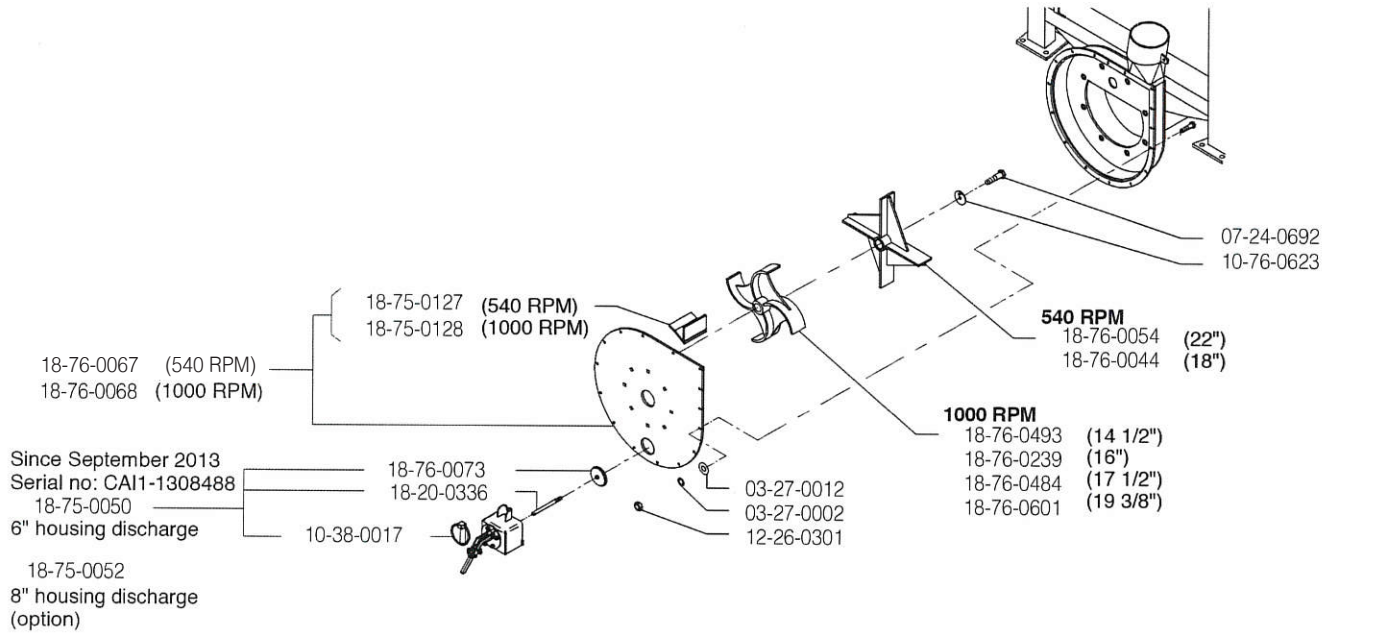
LIQUID MANURE SPREADER - EL48

BEARING HOUSING, PLUG AND HOUSING COVER PLATE (OLD MODEL)

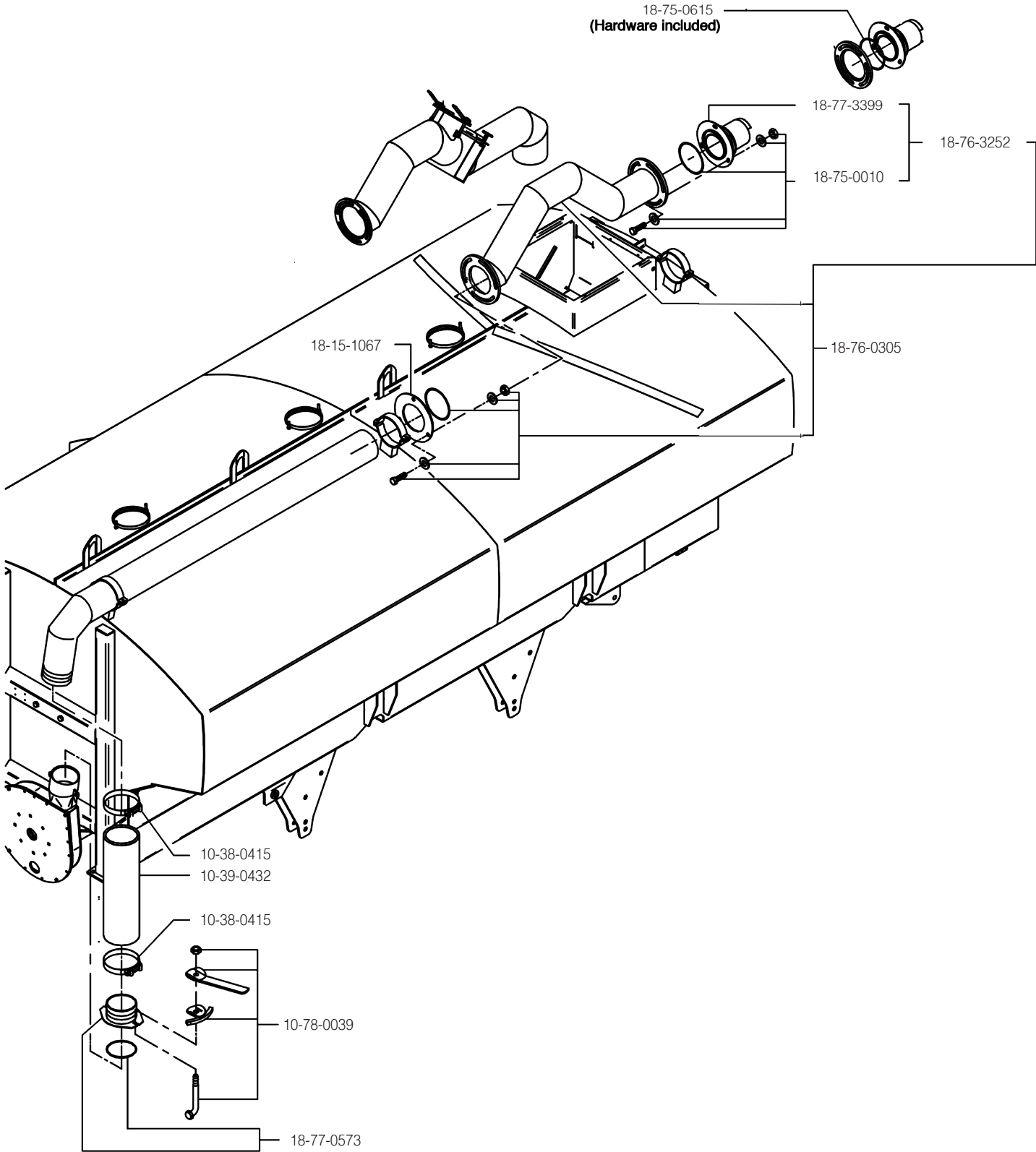


LIQUID MANURE SPREADER - EL48

BEARING HOUSING, IMPELLER, AND HOUSING COVER PLATE

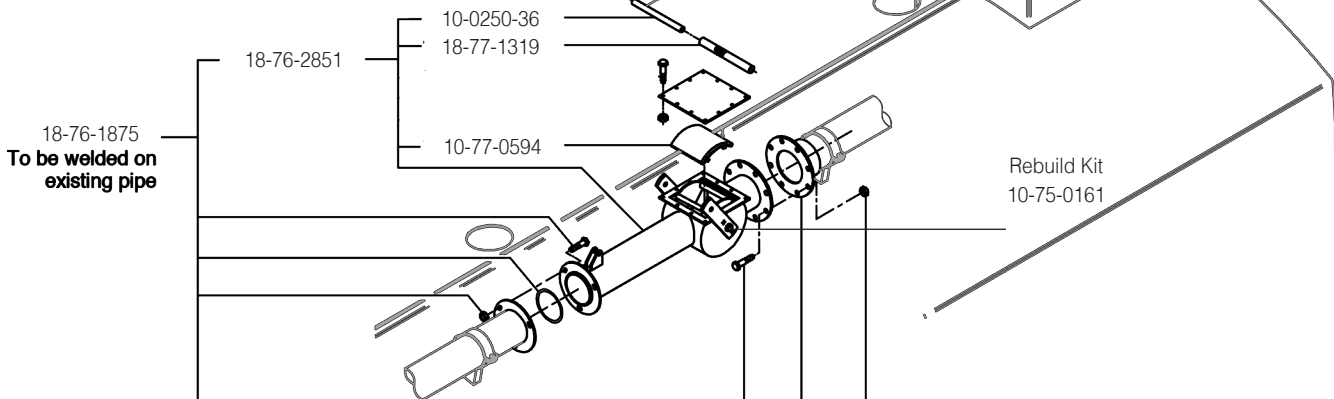


DISCHARGE PIPE

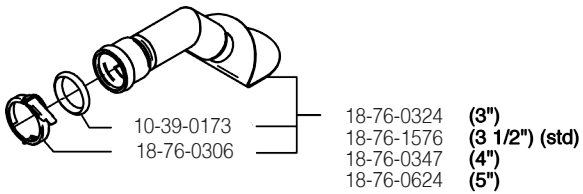


LIQUID MANURE SPREADER - EL48
ROTATIVE VALVE FOR ACTUATOR

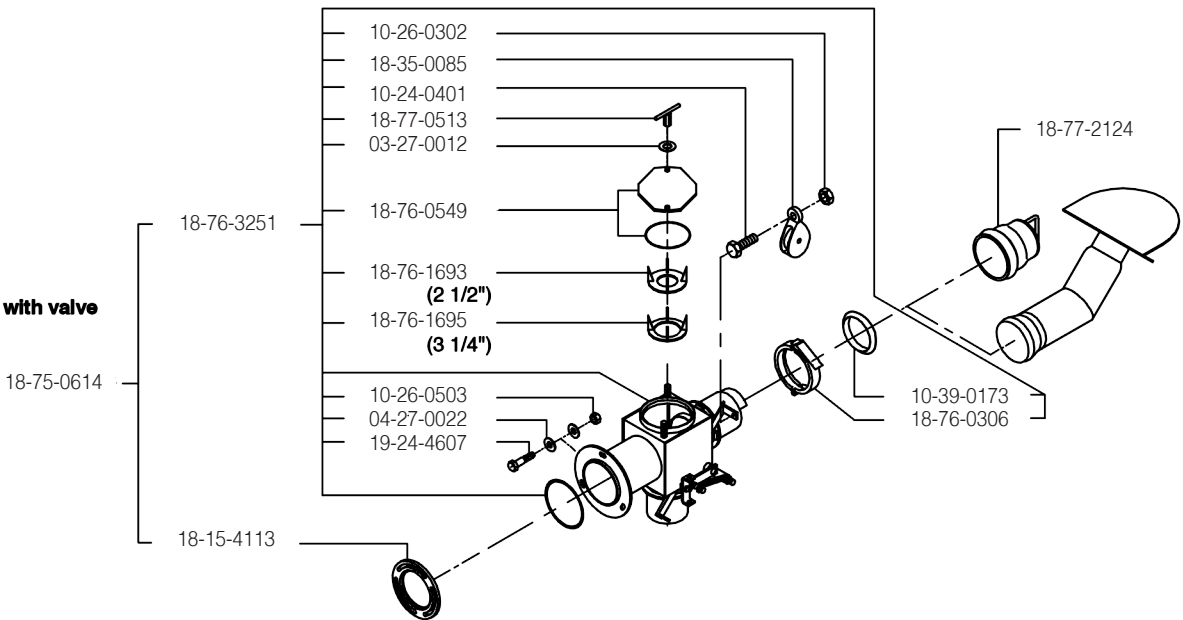
Rotative valve - Actuator



SPREADING NOZZLE AND DIRECTIONAL VALVE

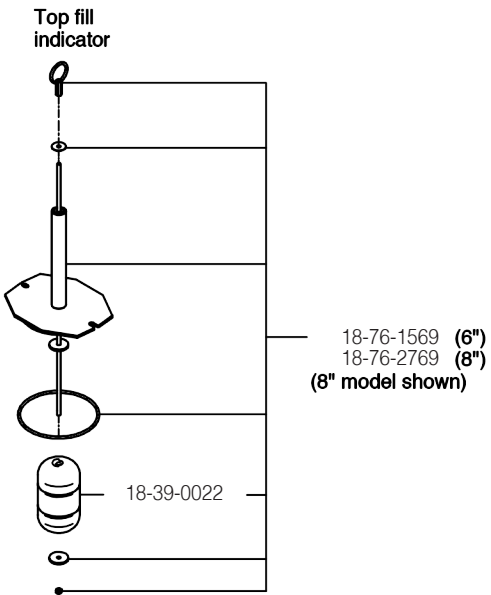
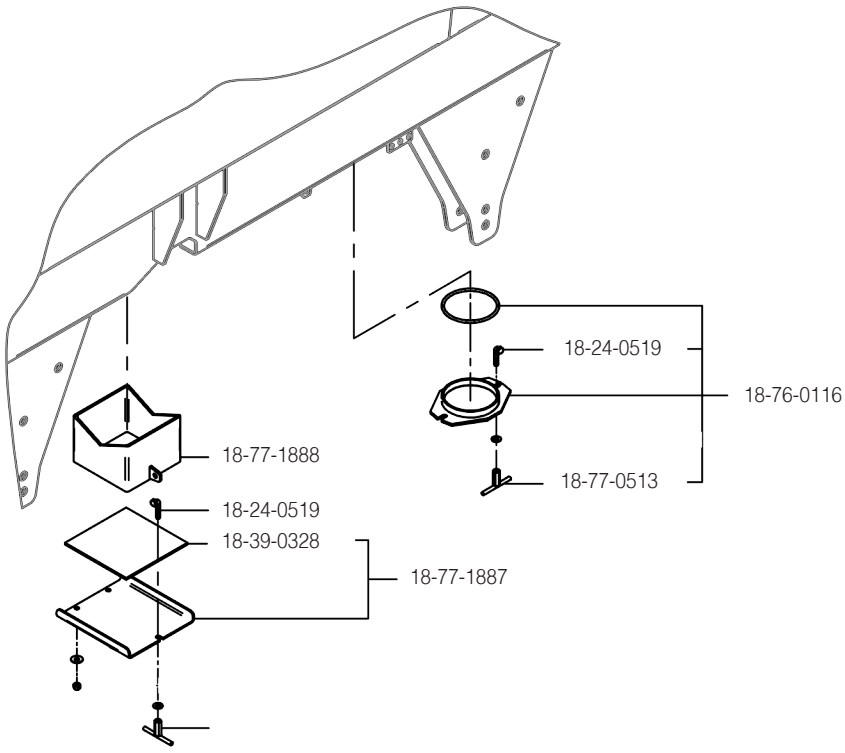
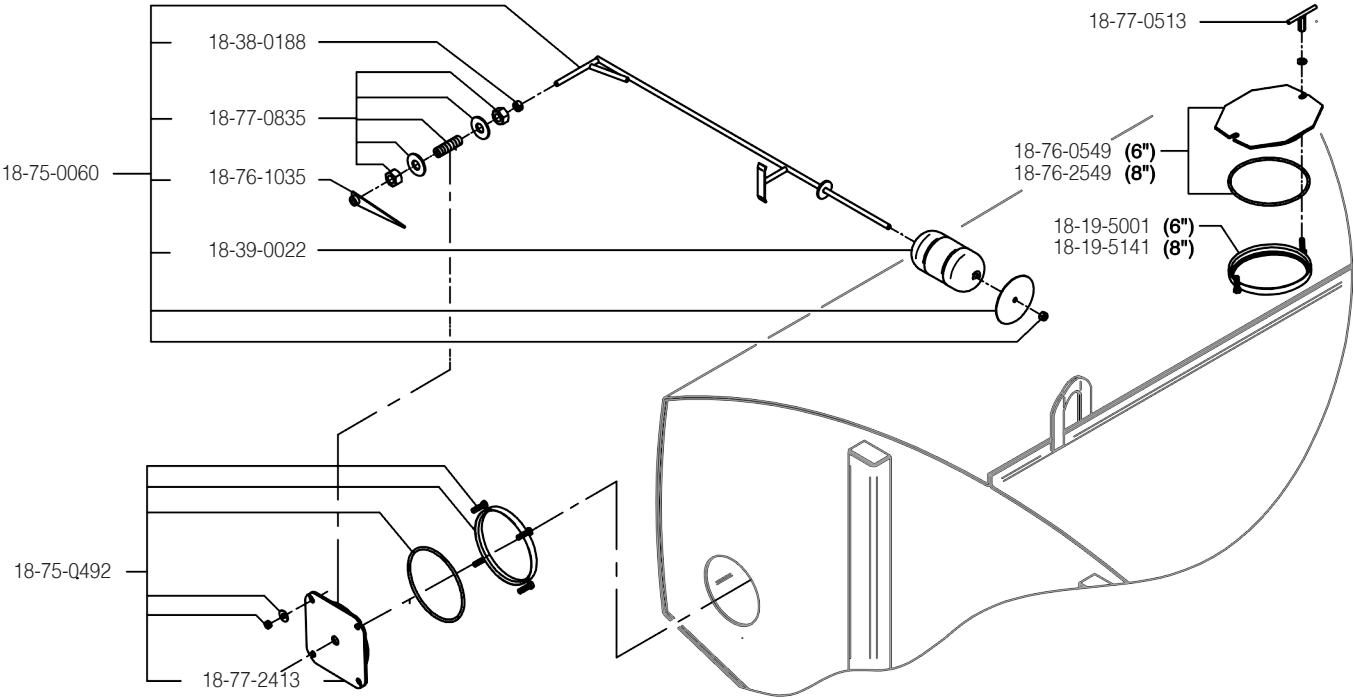


Model with valve



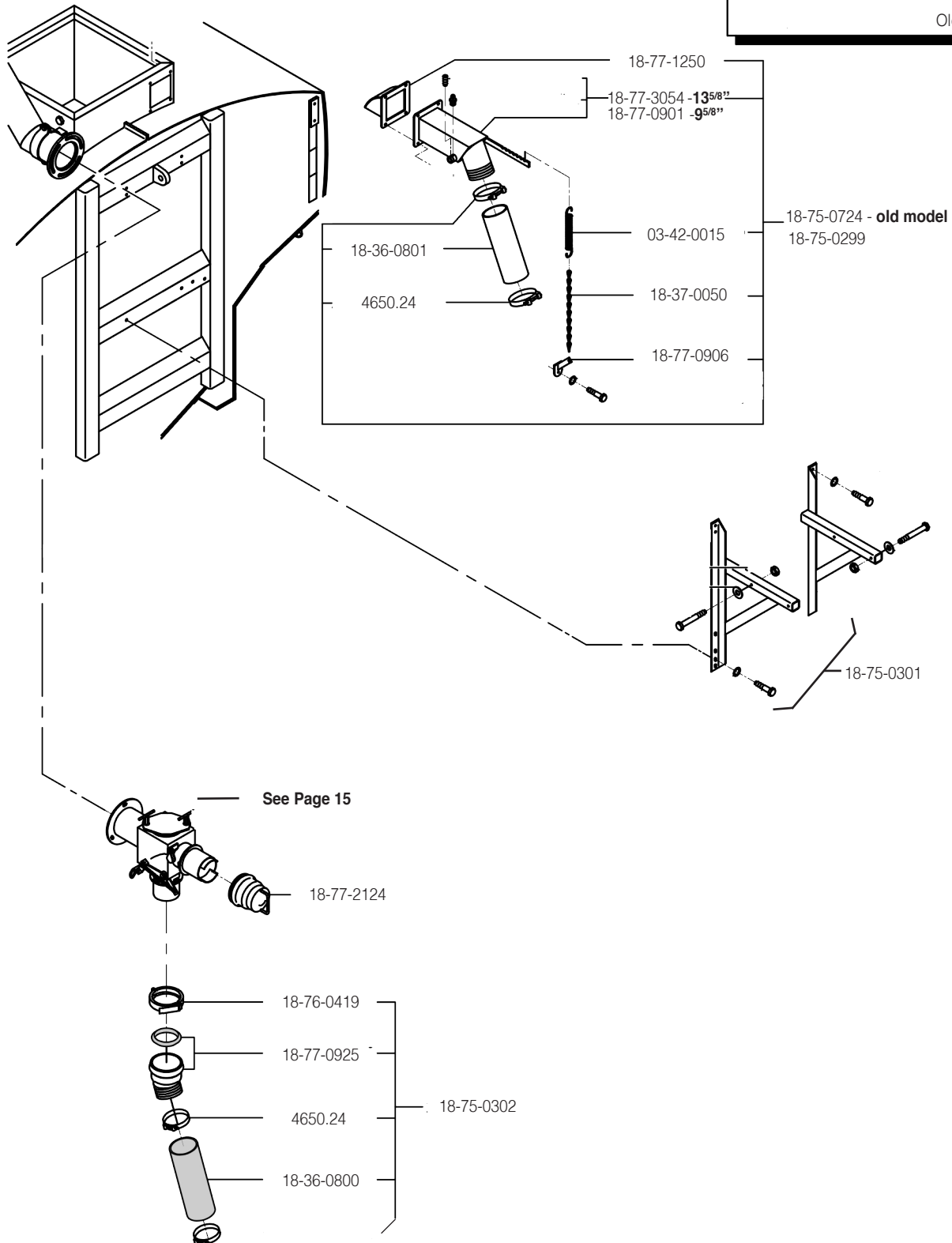
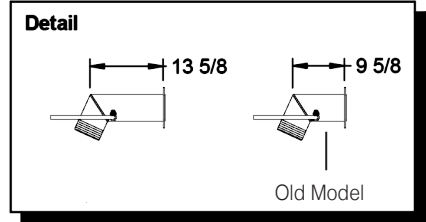
LIQUID MANURE SPREADER - EL48

REAR DRAIN AND FILL INDICATOR



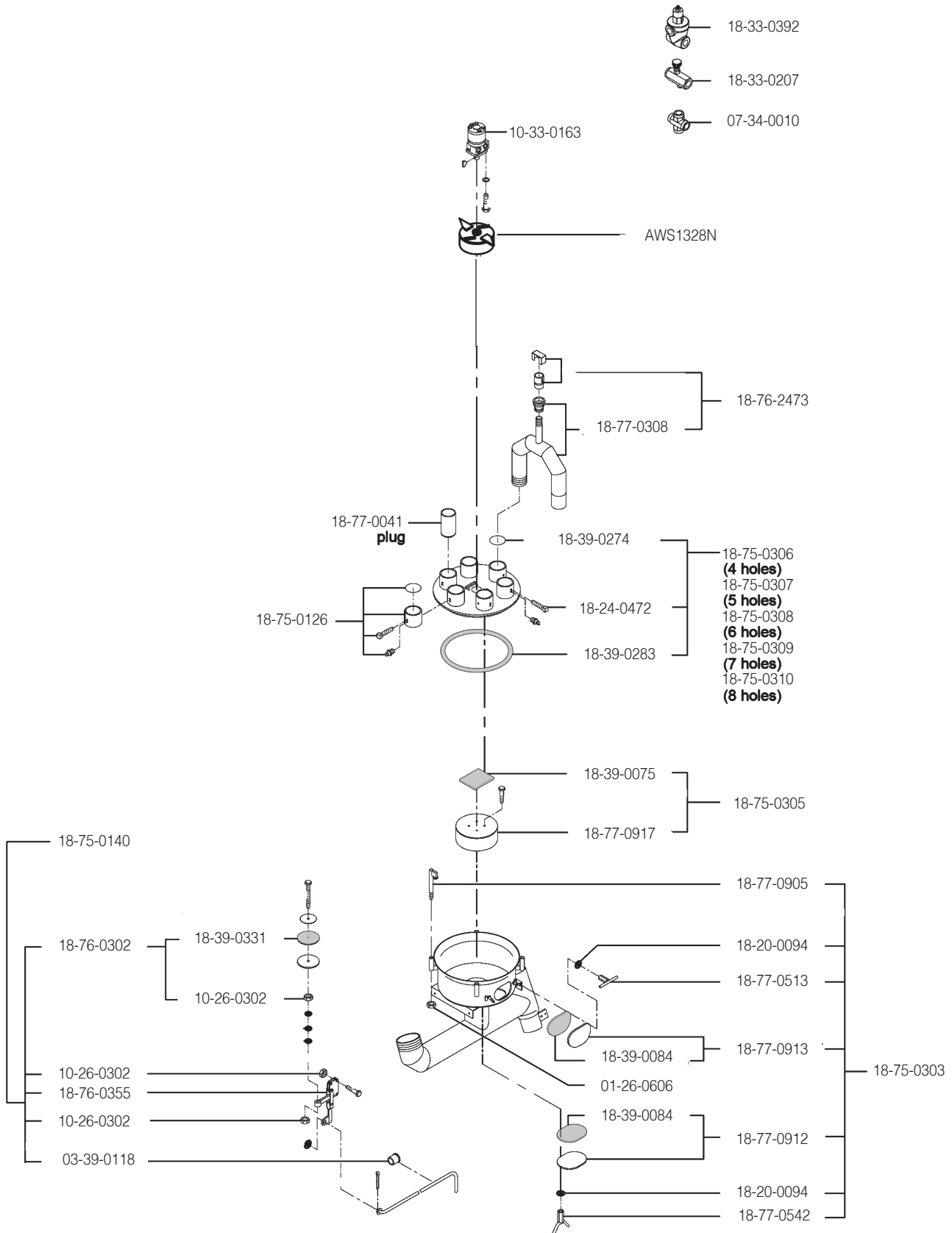
LIQUID MANURE SPREADER - EL48

FLOW REGULATOR, MANUAL VALVE AND SUPPORT FOR STANDARD DISTRIBUTOR



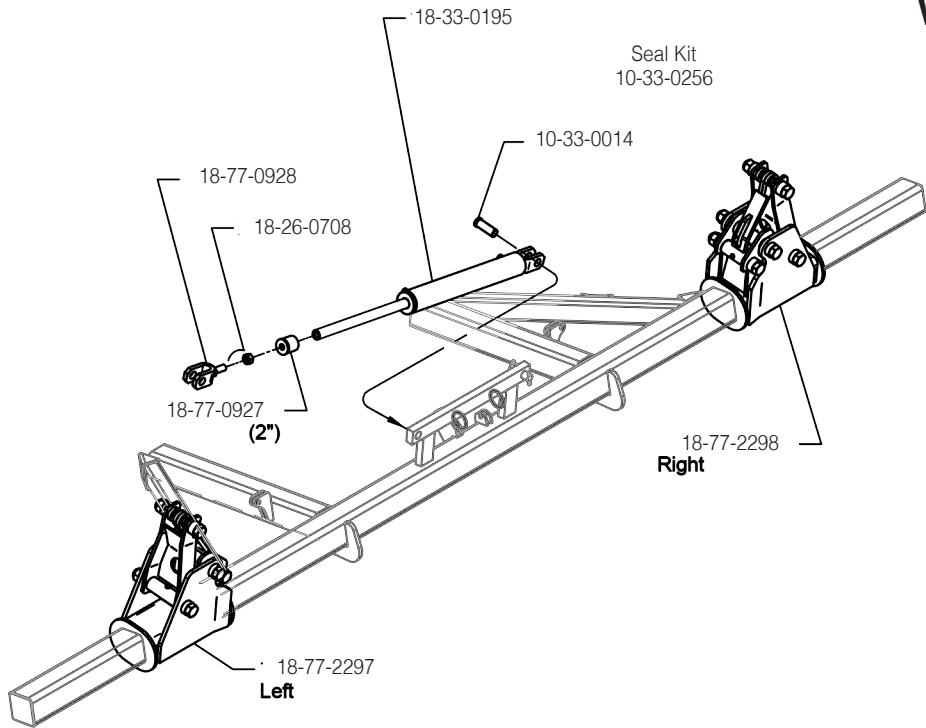
LIQUID MANURE SPREADER - EL48

STANDARD DISTRIBUTOR

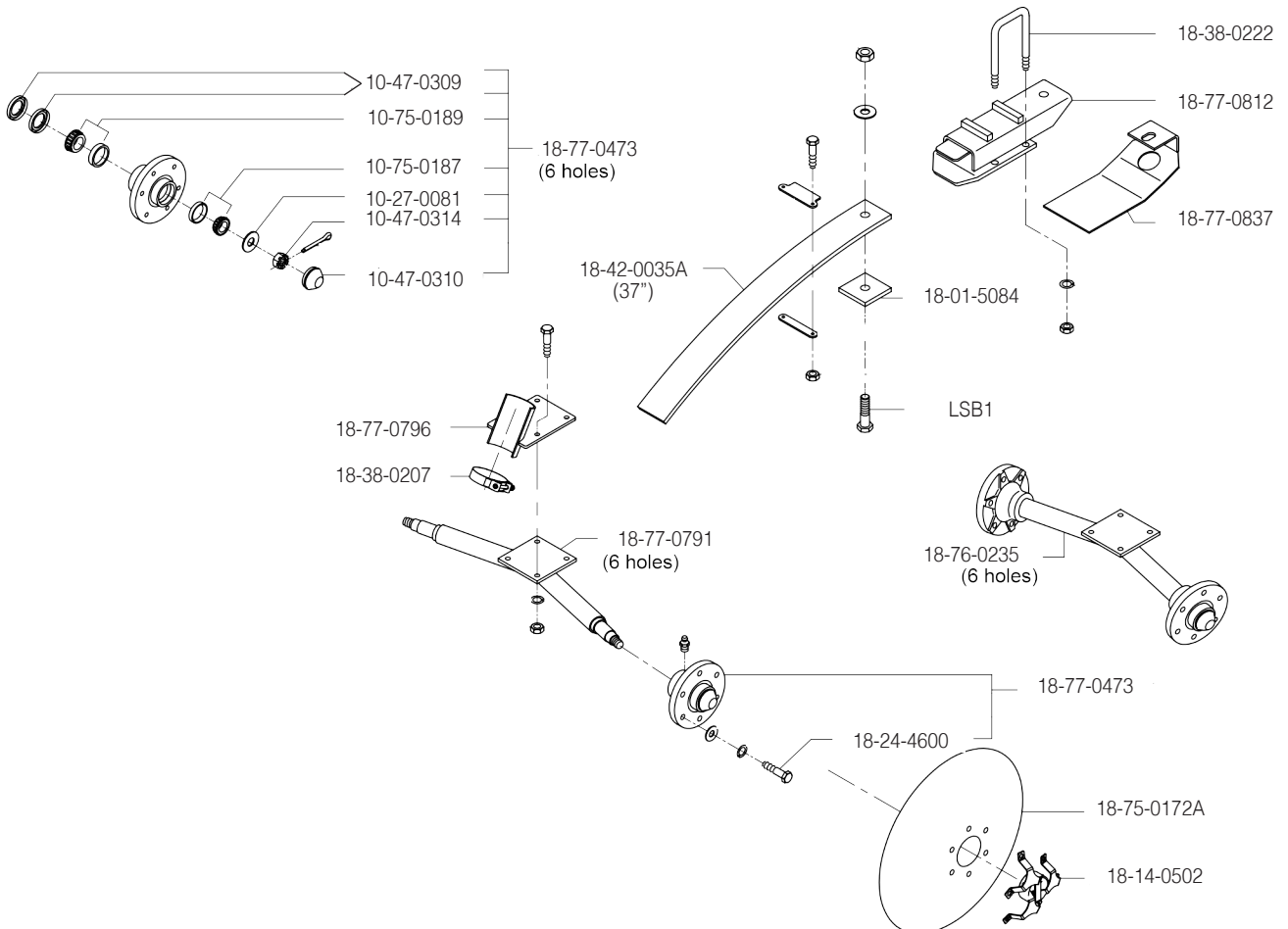


LIQUID MANURE SPREADER - EL48

WINGS/FOLDING ENDS



22" CONCAVE DISC INCORPORATOR



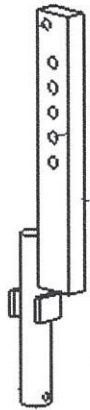


558 (Snap Pin)



5171101

505100



PM204013

28263300

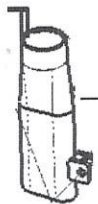
PBSA6

10-47-0072

DSW

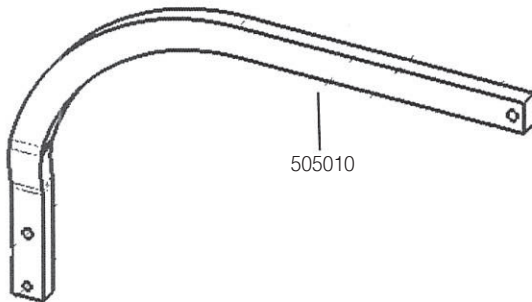
28463300

PBSA2



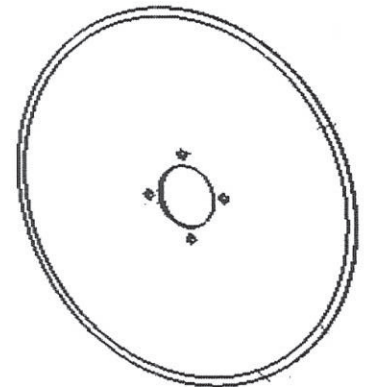
504015
- 4" opening

504033

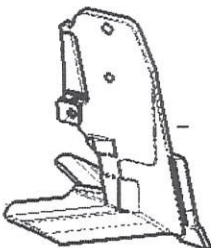


505010

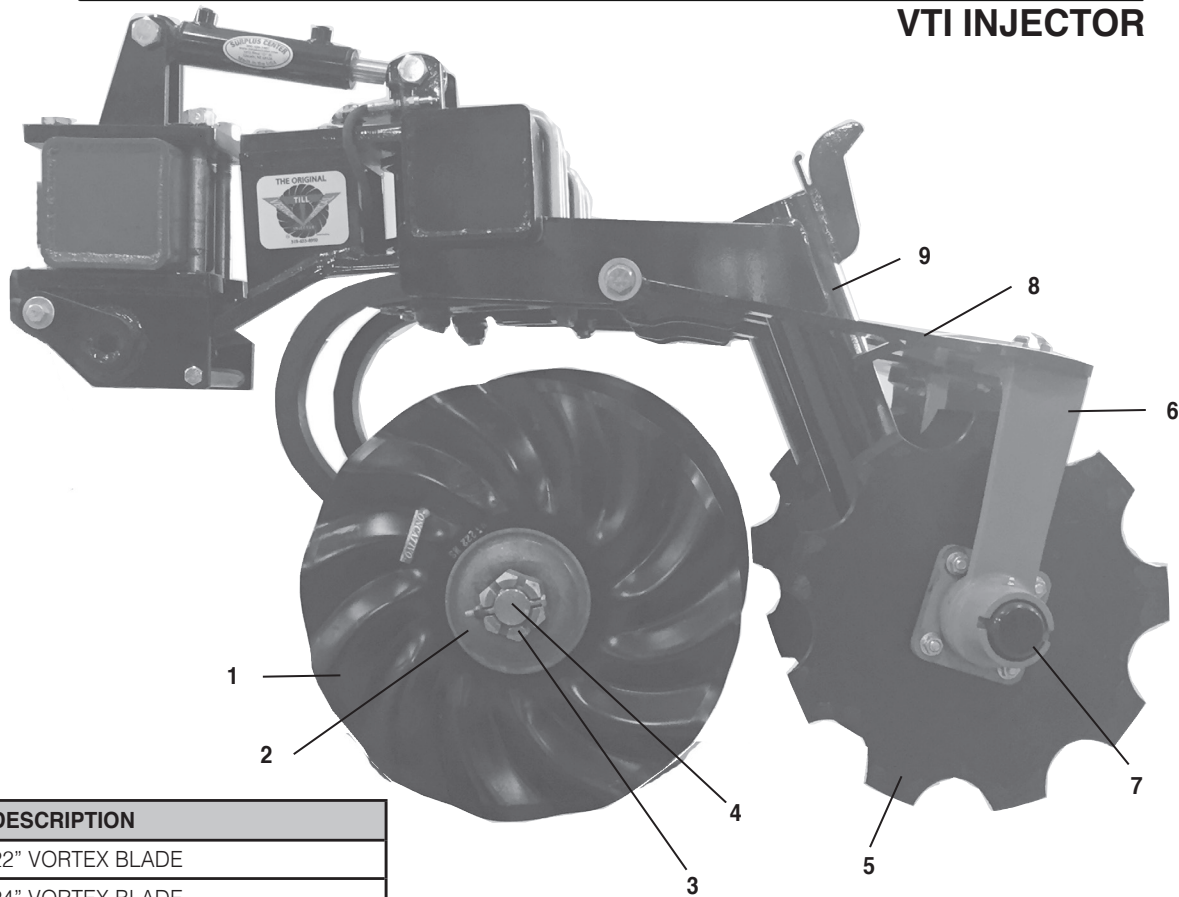
33502240



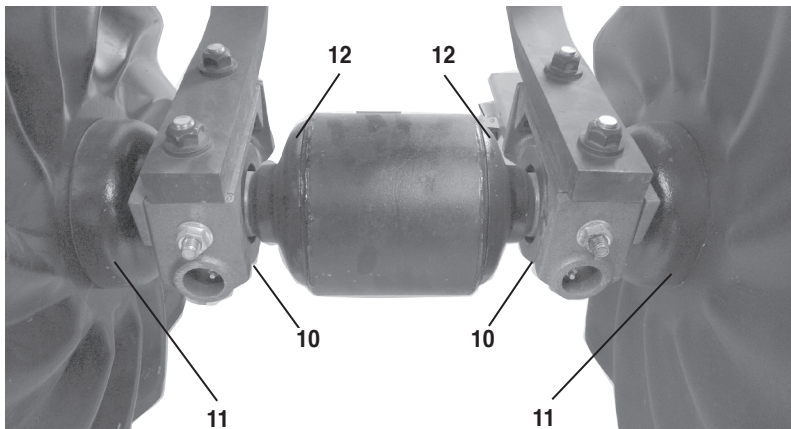
500815HC - hi rate
500815C - std rate

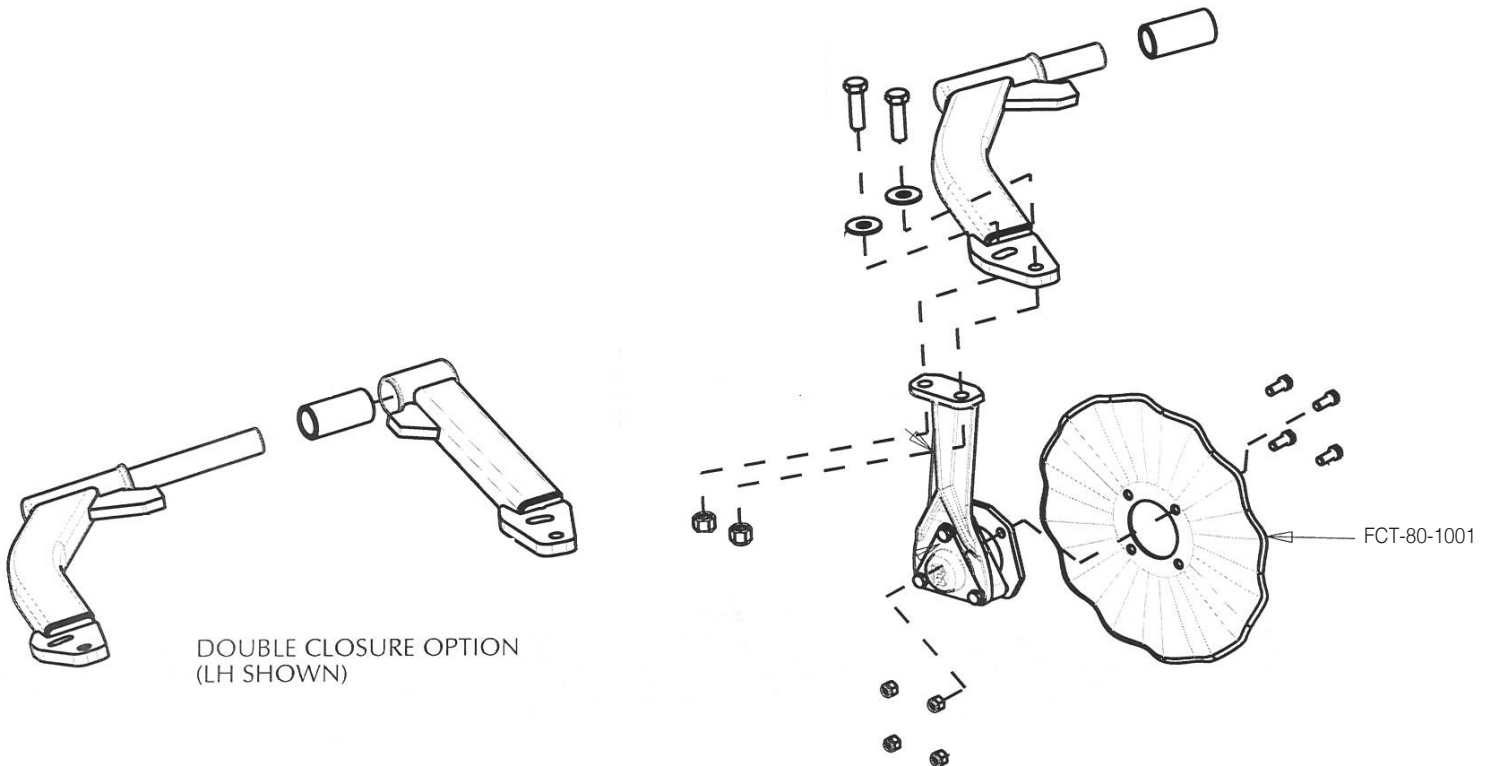
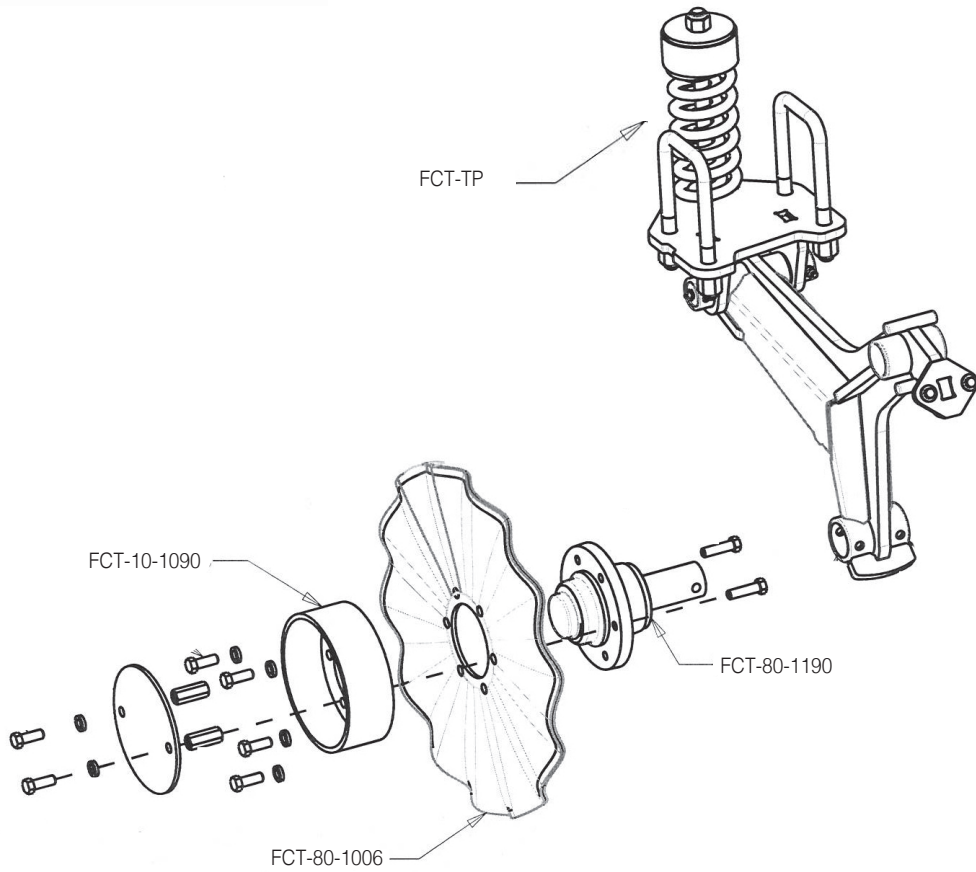


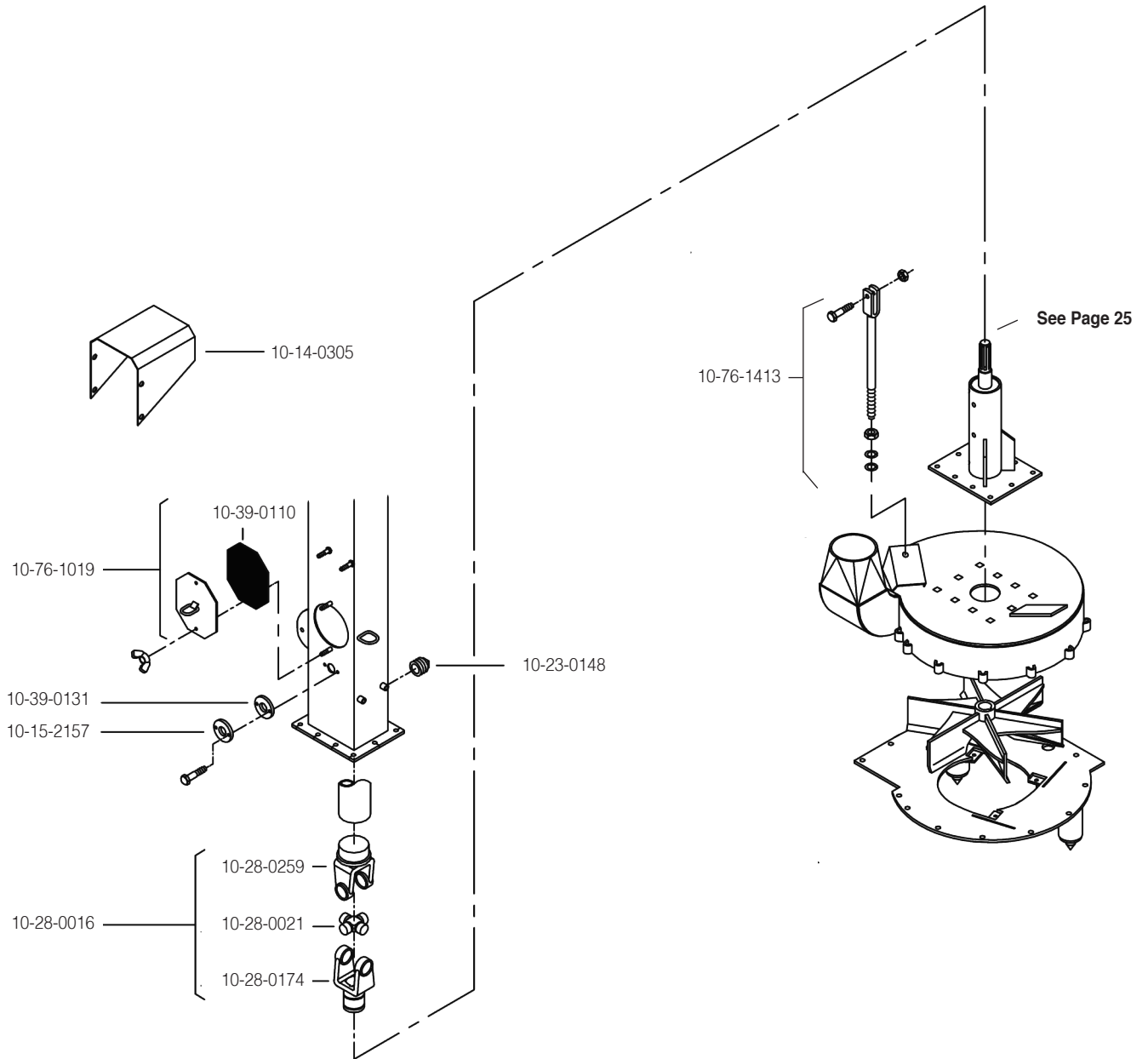
LIQUID MANURE SPREADER - EL48 VTI INJECTOR



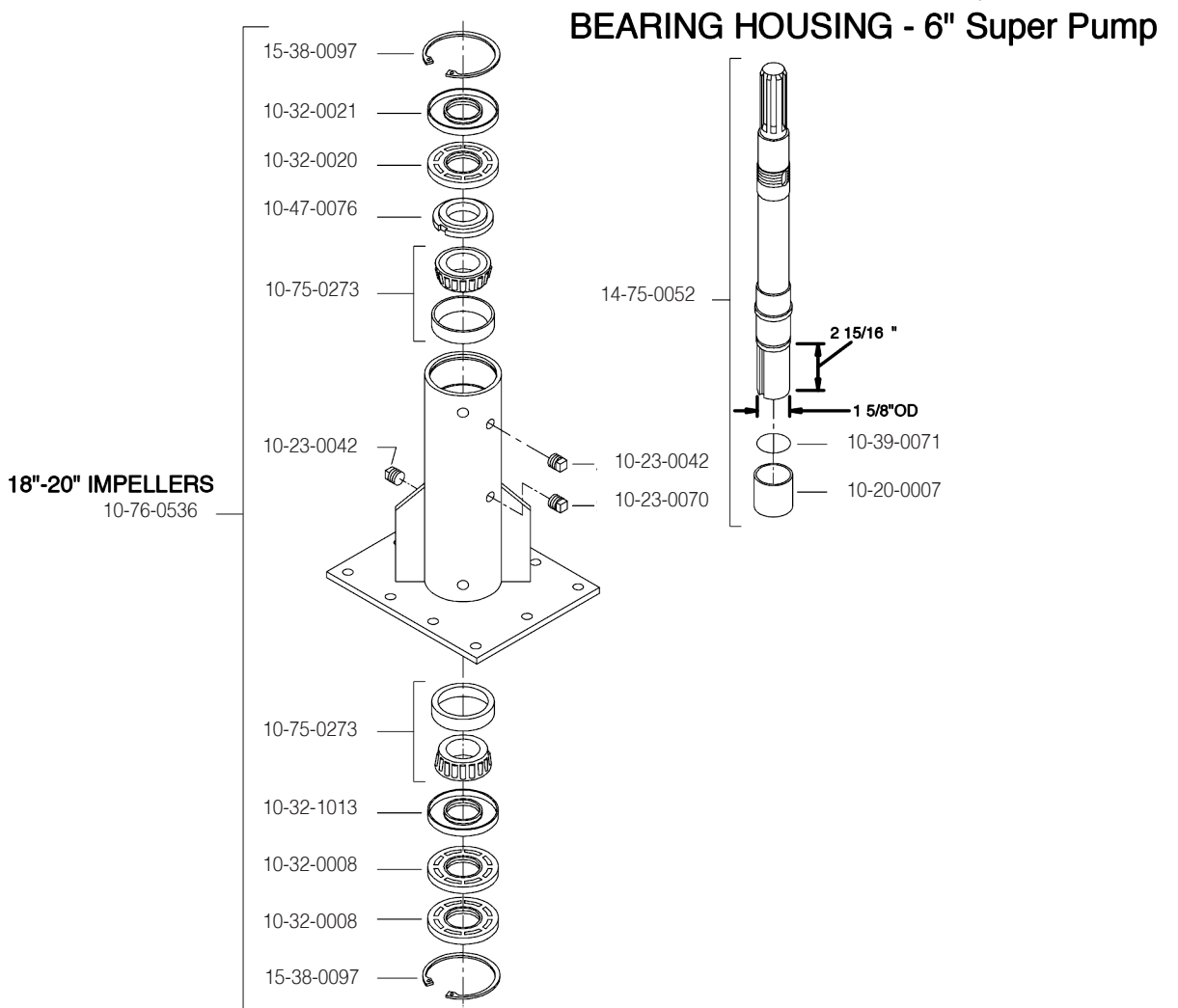
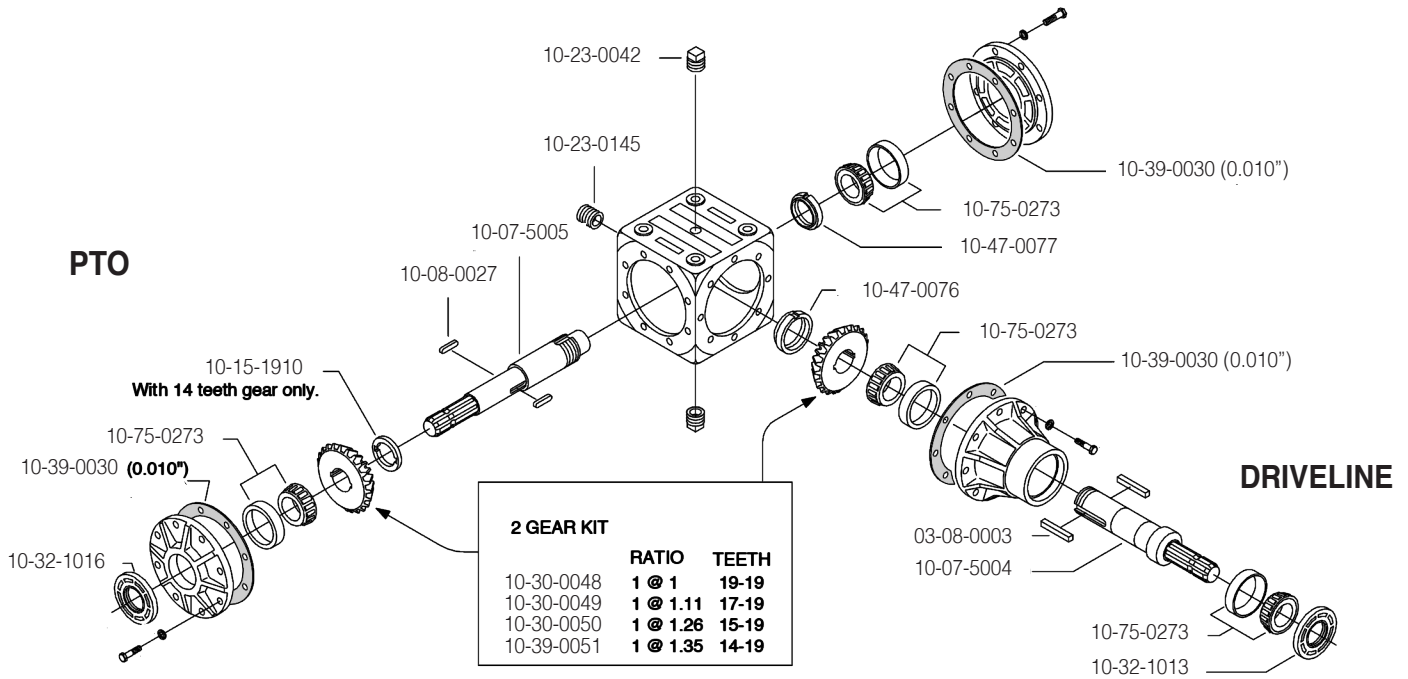
| ITEM | PART # | DESCRIPTION |
|------|-----------|-------------------------------|
| 1A | V8J1222V | 22" VORTEX BLADE |
| 1B | V8J1224V | 24" VORTEX BLADE |
| 2 | V8K5200 | CAST WASHER |
| 3 | V8X0292 | NUT |
| 4 | V8K1044 | 36" SHAFT W/ NUTS & WASHERS |
| 5 | V8J1018V | CLOSURE BLADE |
| 6 | V8K1372V | CLOSURE ARM |
| 7 | AG1472 | CLOSURE ARM REBUILD KIT |
| 8 | V8K4640 | CLOSURE ARM MOUNT |
| 9 | V8K4440 | MANURE TUBE |
| 10A | S8K2050 | 211 BEARING (SMALL) |
| 10B | V8KB214V | 214 BEARING (LARGE) |
| 11 | V8K4840V | OUTER CONE |
| 12 | V8K4850V | INNER CONE |
| | VTISOCKET | IMPACT SOCKET FOR COULTER NUT |





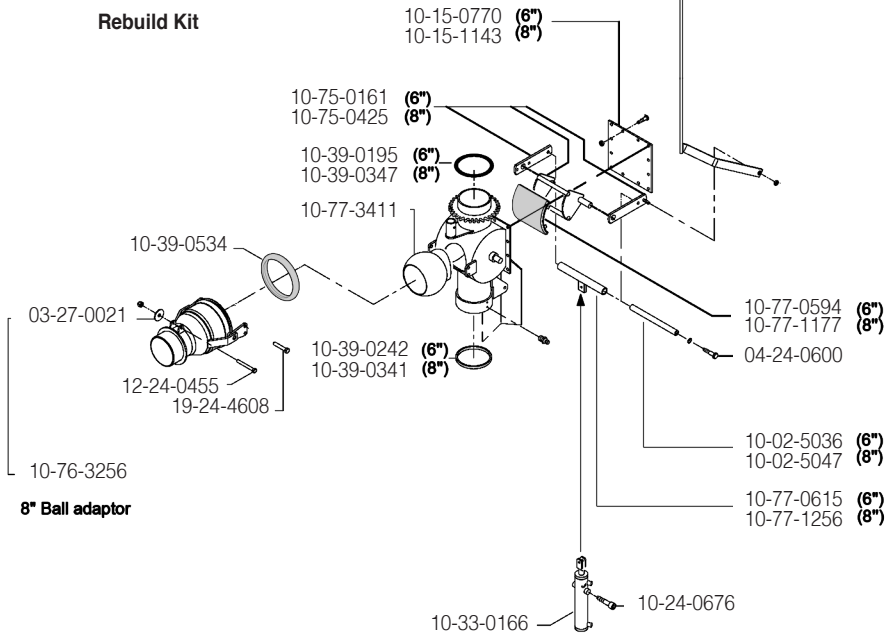


3 PT PUMPS GEAR BOX #200 - 6" Super Pump

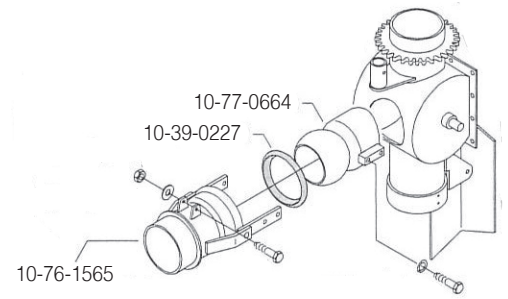


6" & 8" DIRECTIONAL VALVE

Rebuild Kit

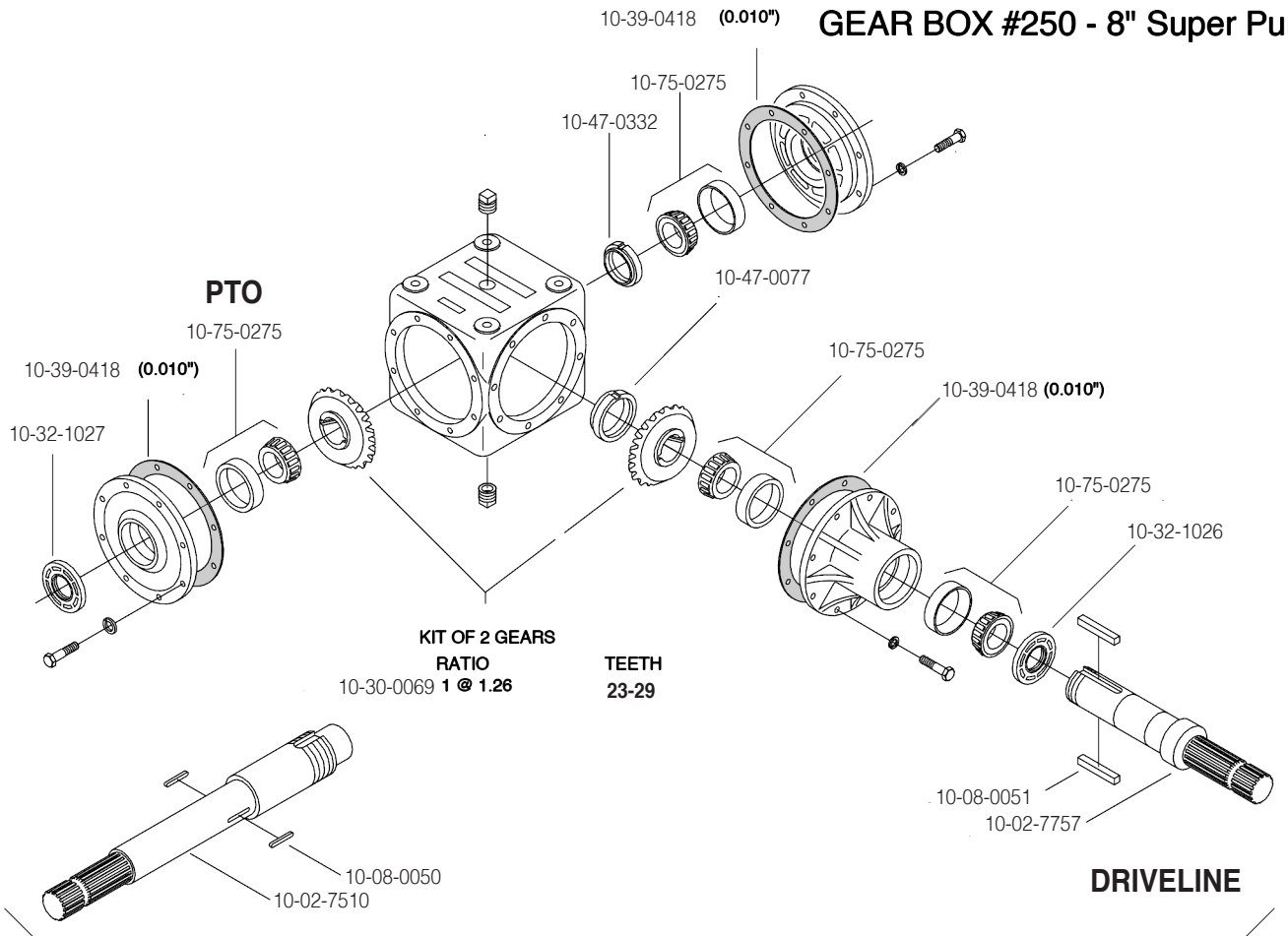


8" Ball adaptor



Before September 2006

GEAR BOX #250 - 8" Super Pump



PTO

**KIT OF 2 GEARS
RATIO
10-30-0069 1 @ 1.26
TEETH
23-29**

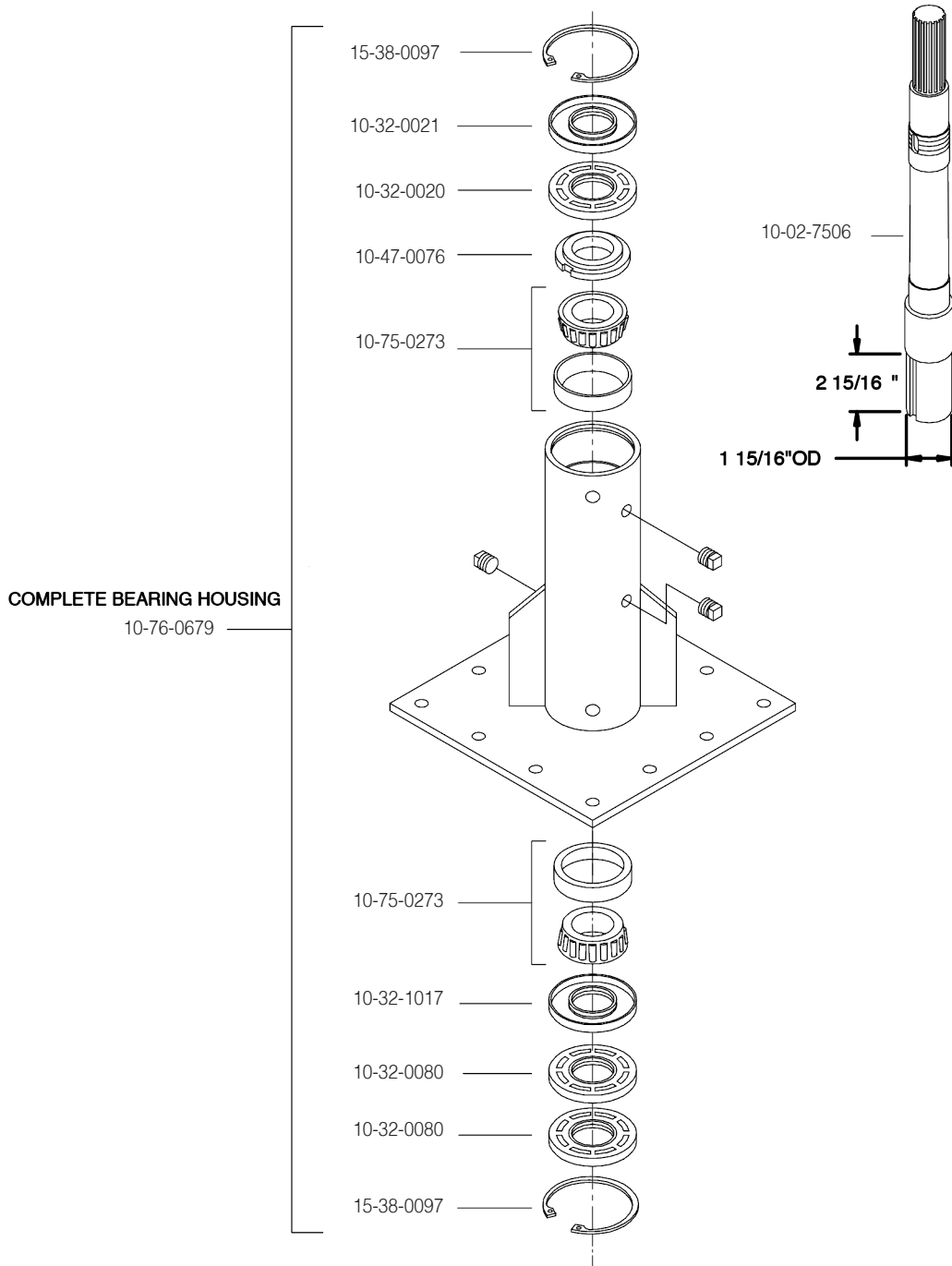
DRIVELINE

**COMPLETE GEAR BOX
RATIO 1 @ 1.26
10-28-0438 (-26%)**

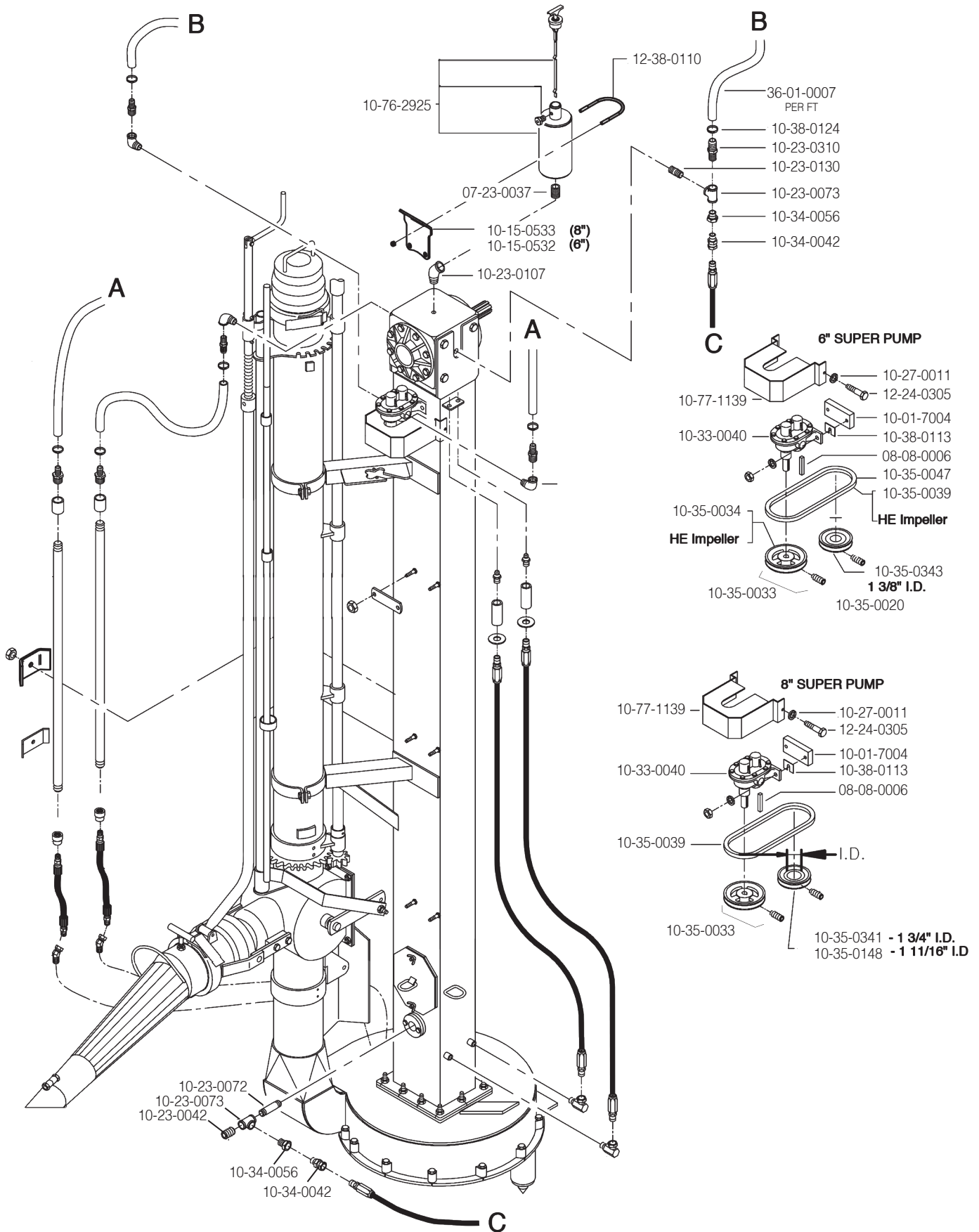


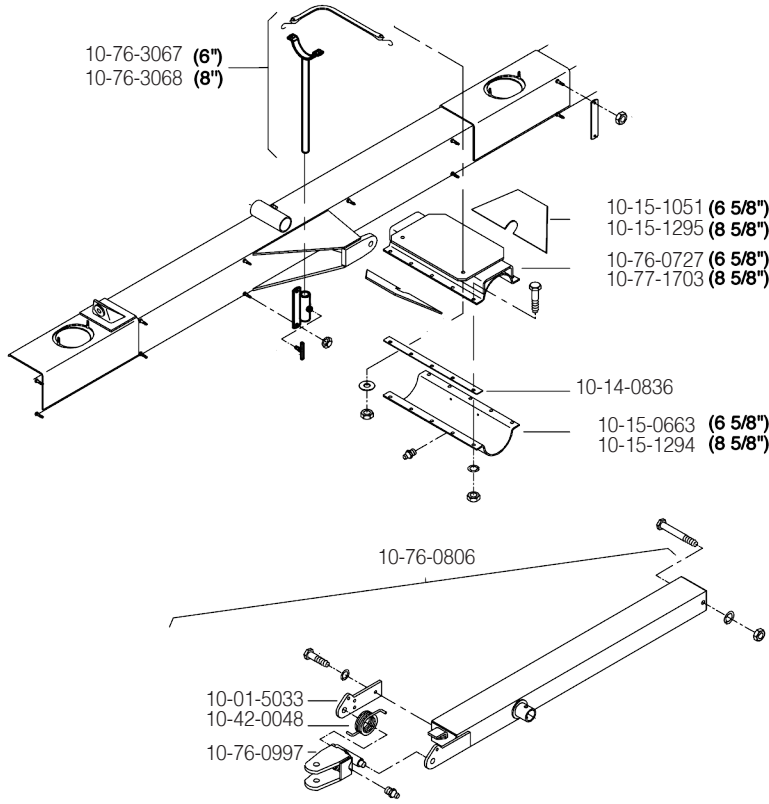
CAN'T FIND WHAT YOU'RE LOOKING FOR? GIVE US A CALL AT 866-918-2081.

BEARING HOUSING - 8" Super Pump

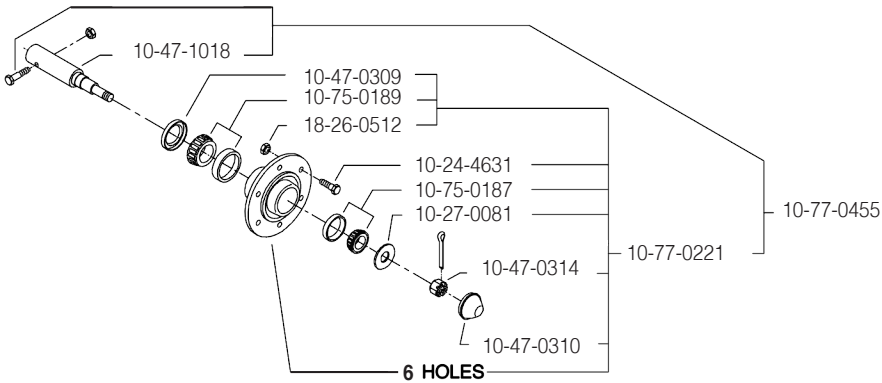


OIL COOLING SYSTEM AND GREASE LINE - Super Pump

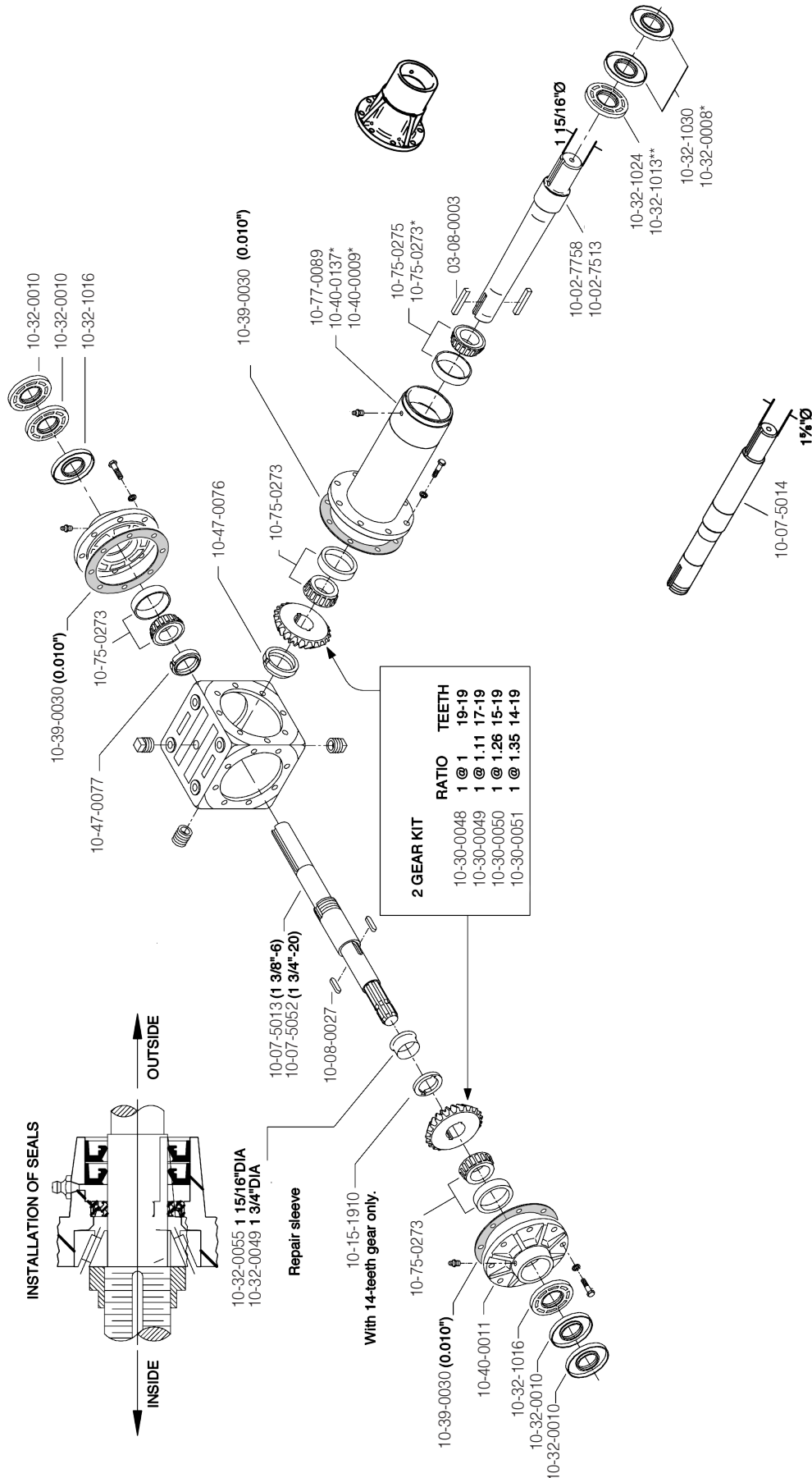




Hub & Spindle

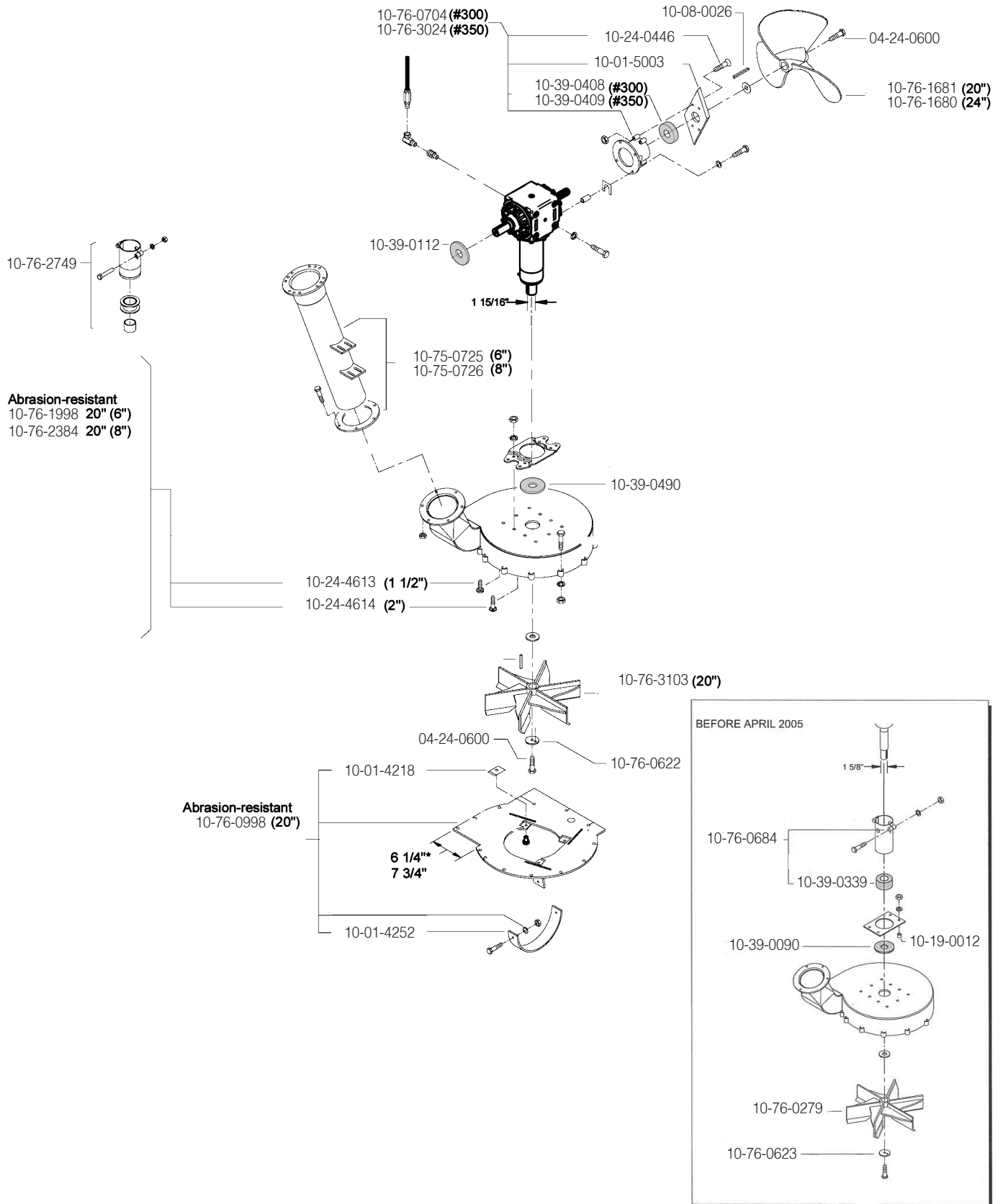


GEAR BOX #300 - LAGOON AGI-PUMP

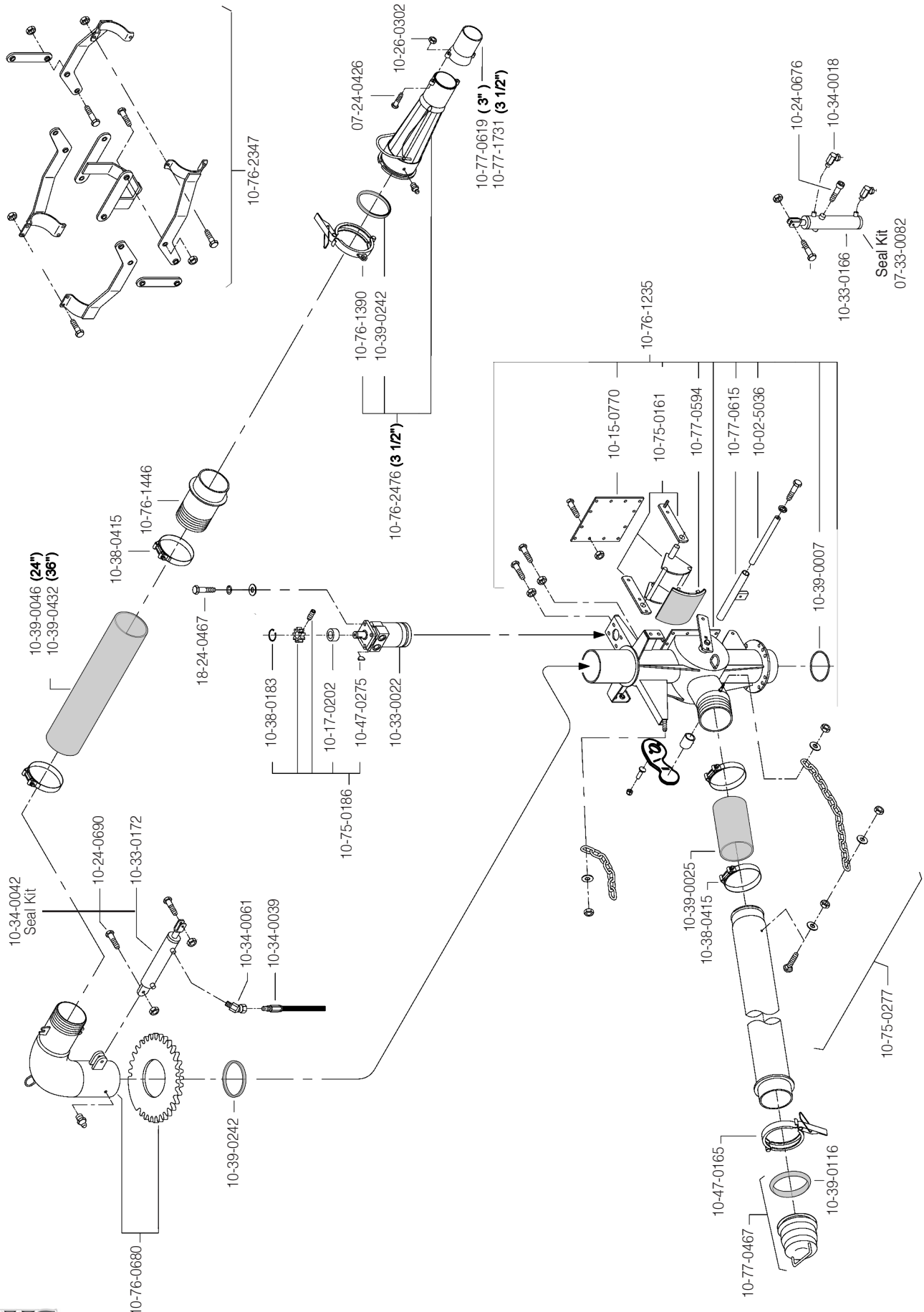


* Model before 2005
** Model between April 2005 and August 2012

PROPELLER, IMPELLER, HOUSING & BOTTOM PLATE

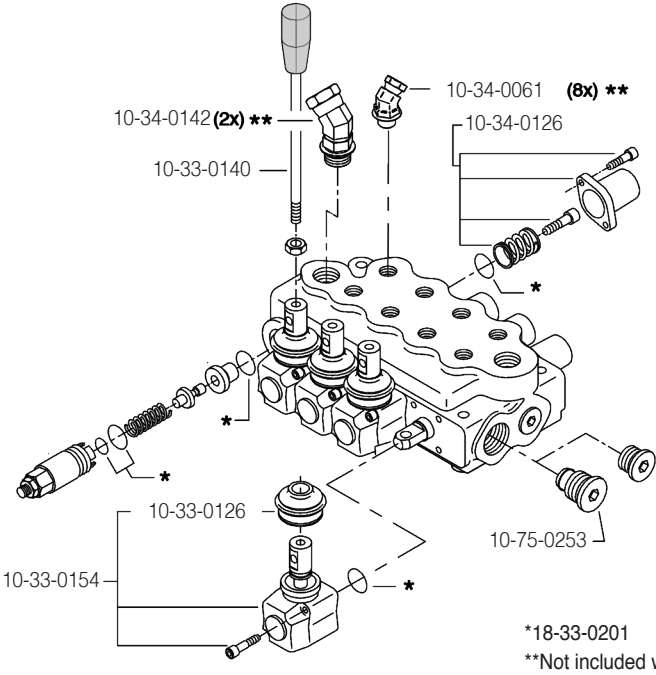


6" DIRECTIONAL VALVE & AGITATION NOZZLE



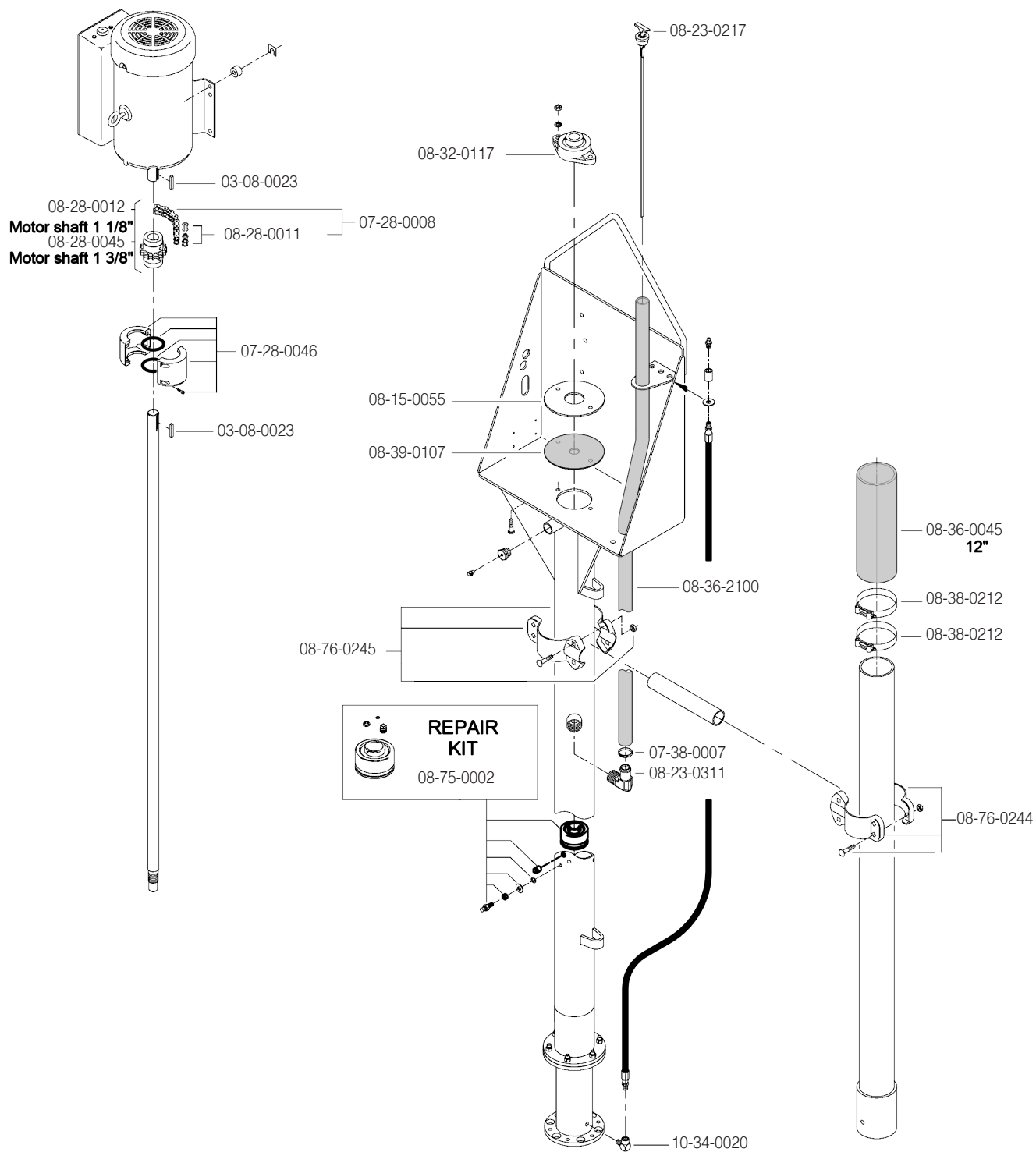
CURRENT MODEL

- Complete 4-lever valve**
10-33-0105
- Complete 5-lever valve**
10-33-0419
- Complete 6-lever valve**
10-33-0164



*18-33-0201
**Not included with complete 4-5 & 6-lever valve

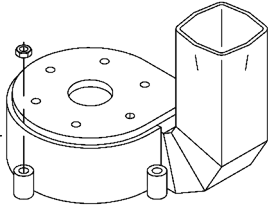
3" REGULAR PUMP - OIL BATH - UPPER SECTION



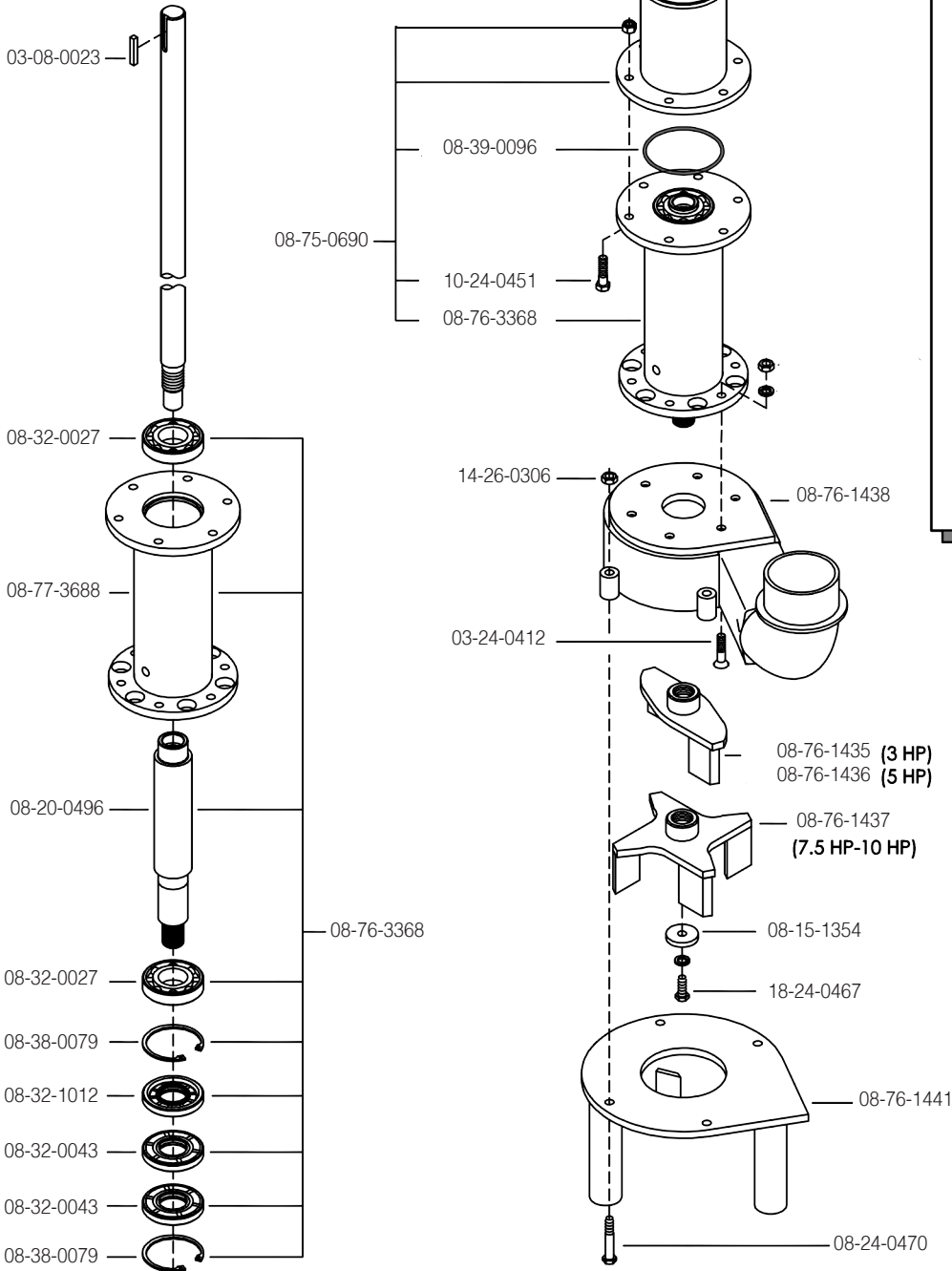
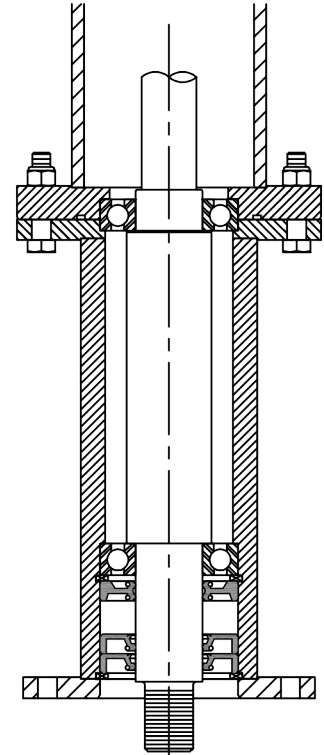
3" REGULAR PUMP - OIL BATH - LOWER SECTION

3" Compact Pump
Oil Bath - Lower Section

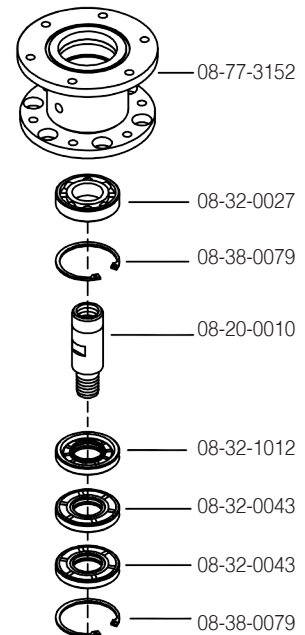
08-76-0309



SEALS INSTALLATION

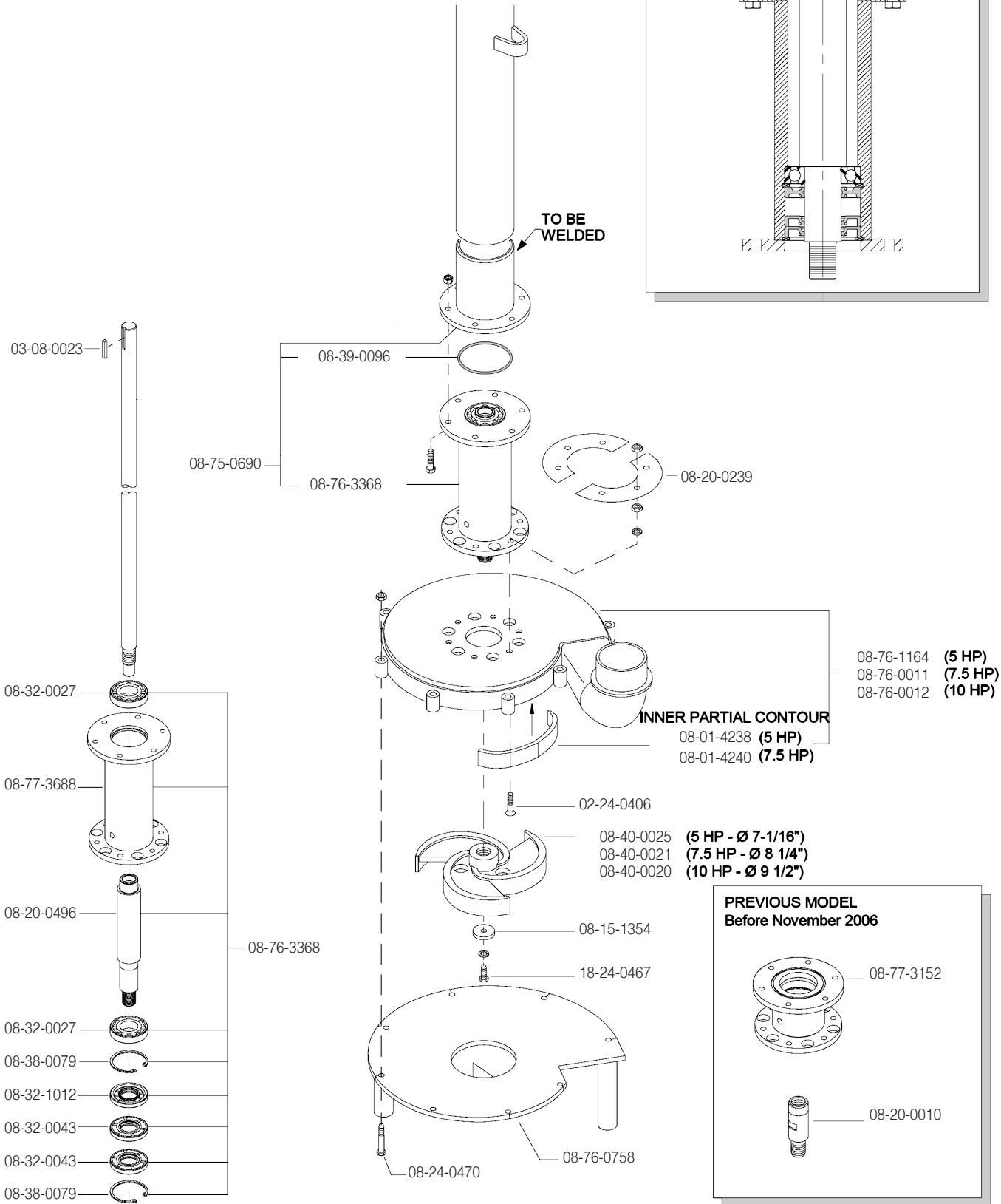
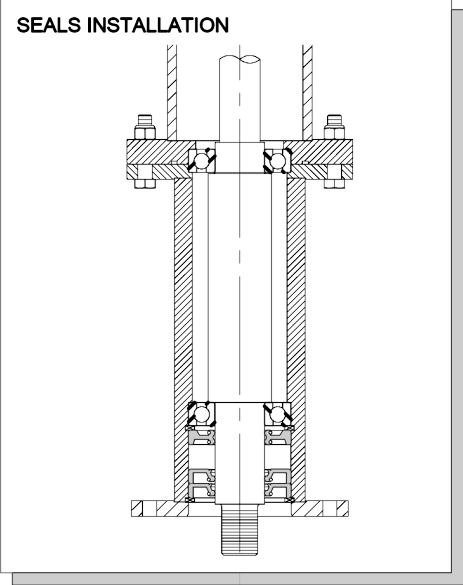


PREVIOUS MODEL
Before November 2006



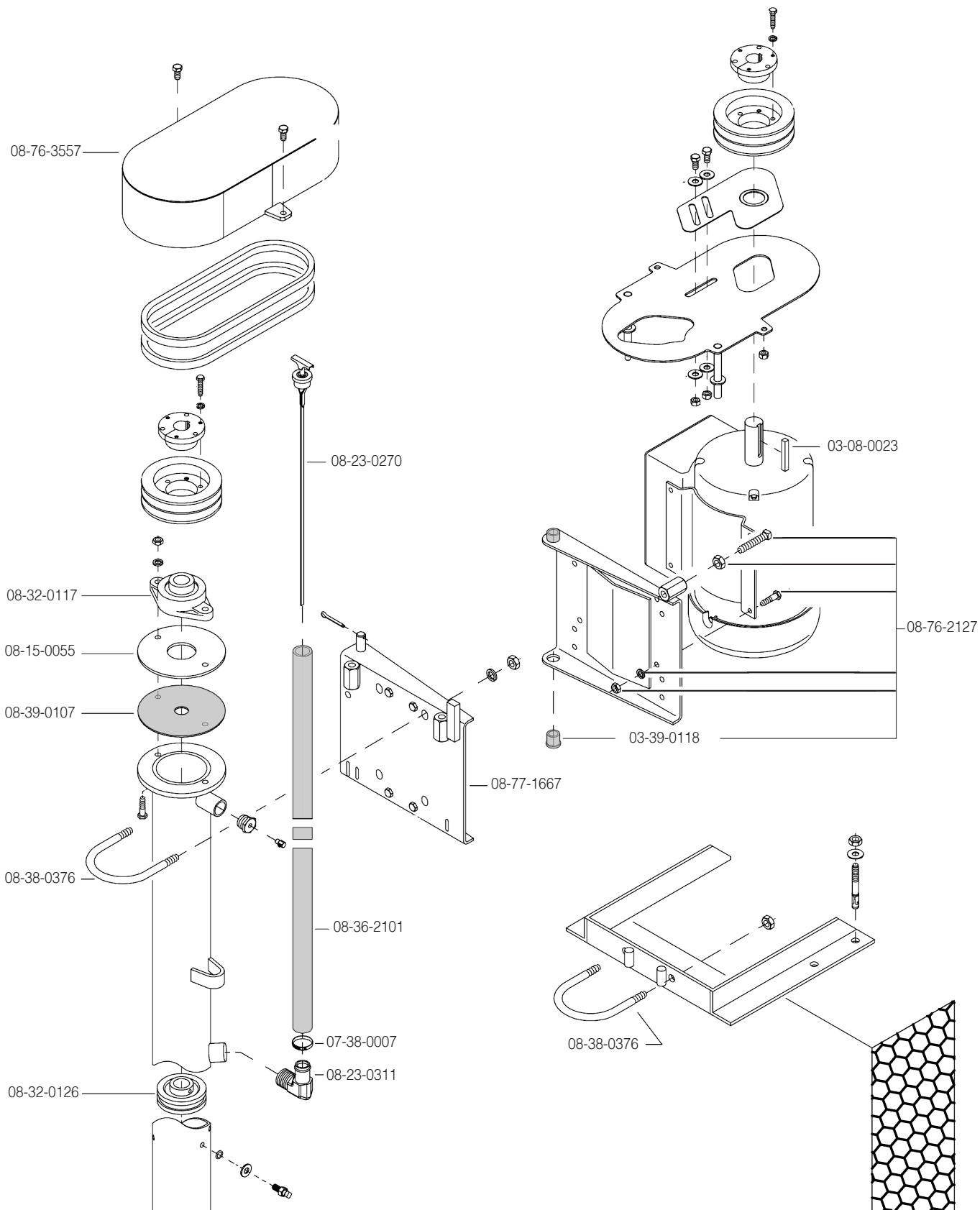
3" HIGH PRESSURE PUMP - OIL BATH - LOWER SECTION

REPAIR KIT
08-75-0002



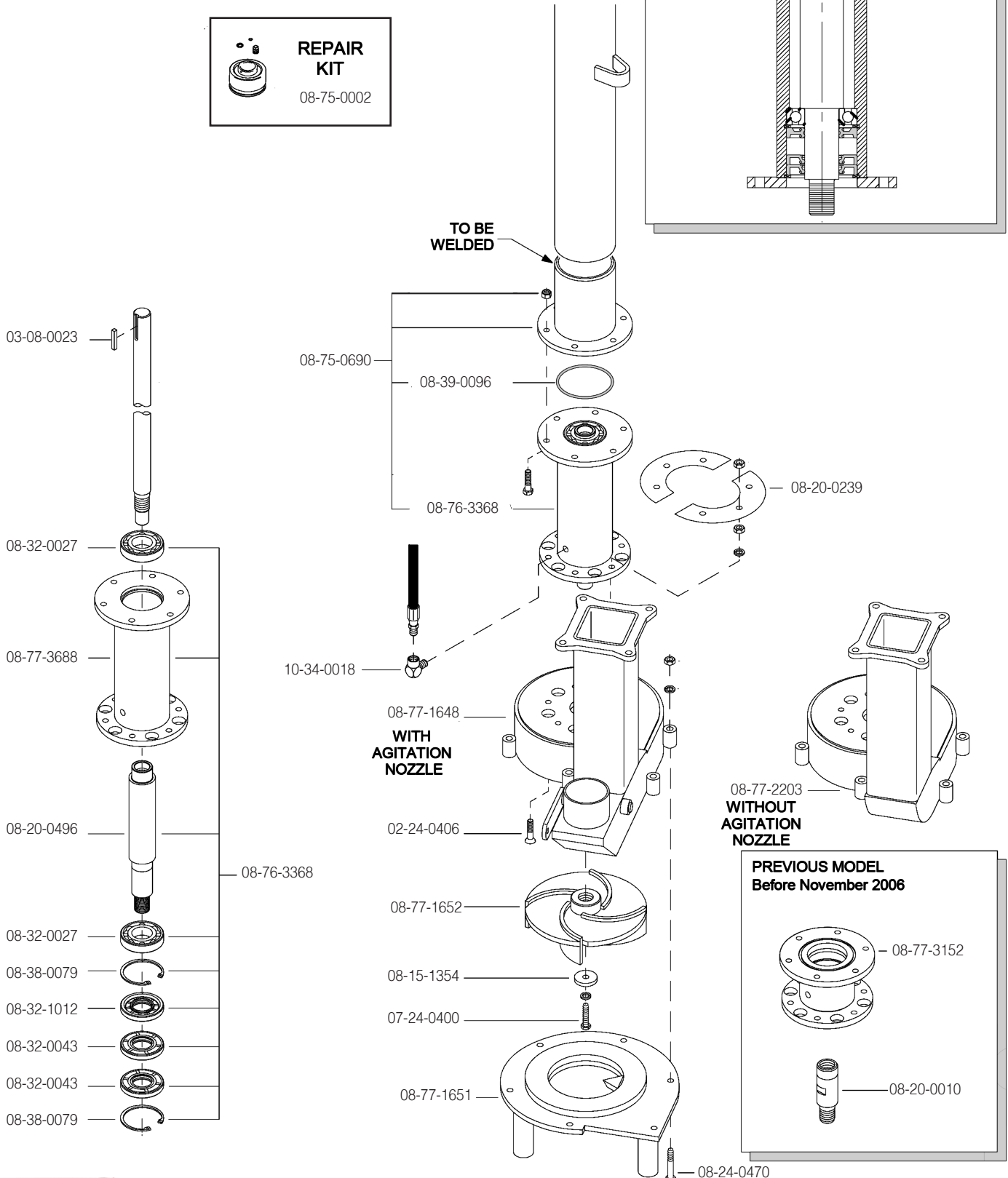
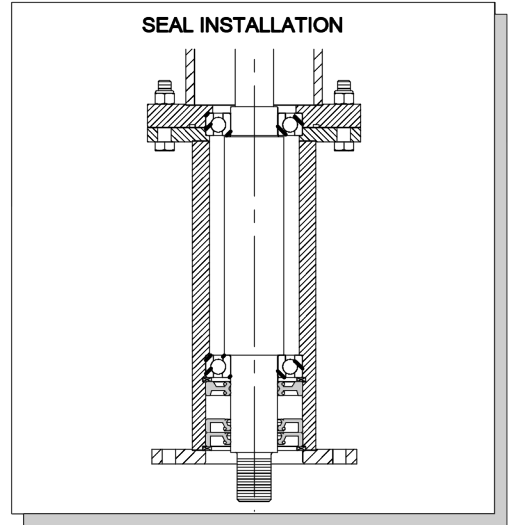
CAN'T FIND WHAT YOU'RE LOOKING FOR? GIVE US A CALL AT 866-918-2081.

ELECTRIC PUMPS
4" PUMP FOR HOG MANURE - UPPER SECTION



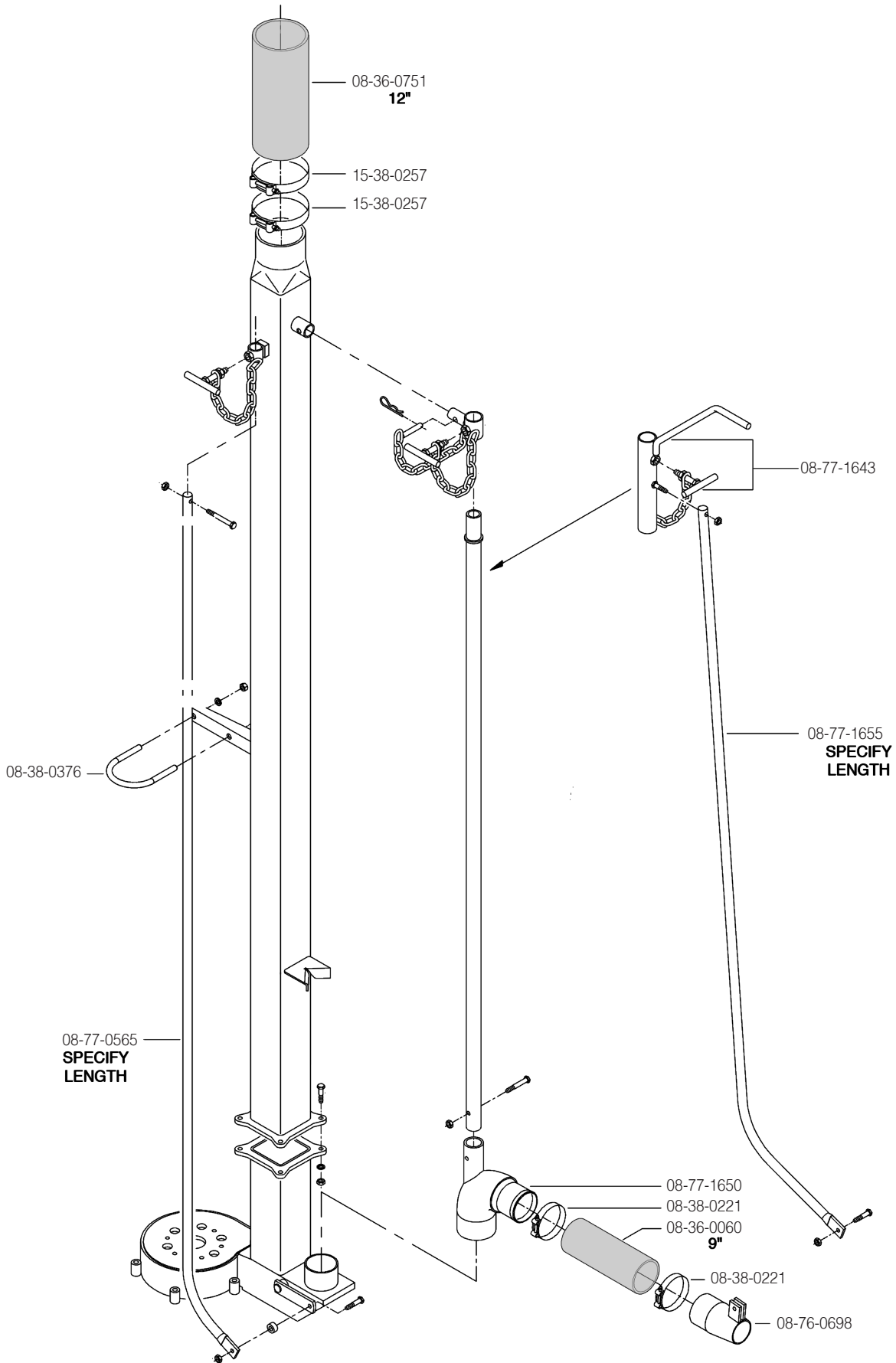
4" PUMP FOR LIQUID DAIRY MANURE - LOWER SECTION

REPAIR KIT
08-75-0002

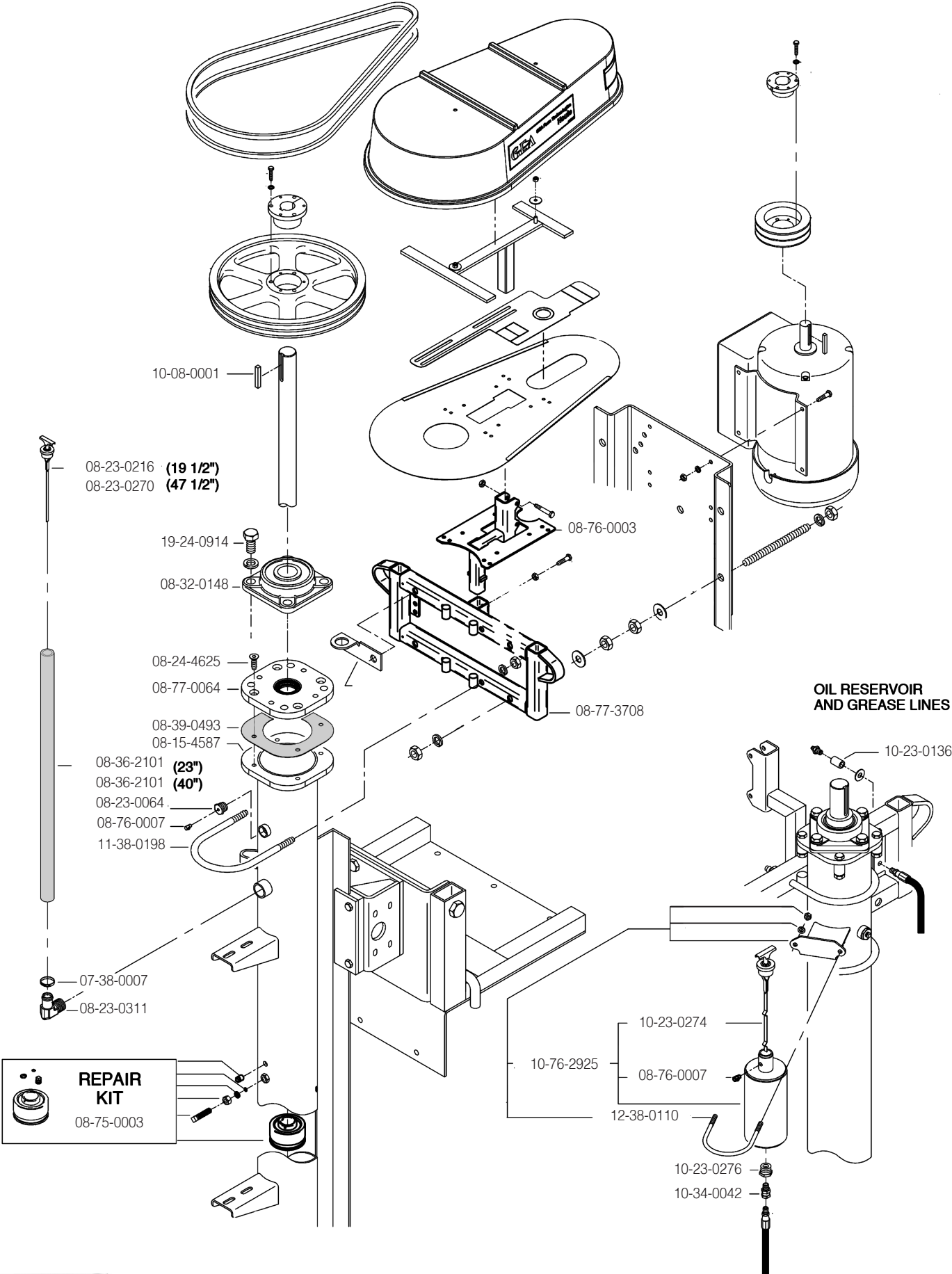


CAN'T FIND WHAT YOU'RE LOOKING FOR? GIVE US A CALL AT 866-918-2081.

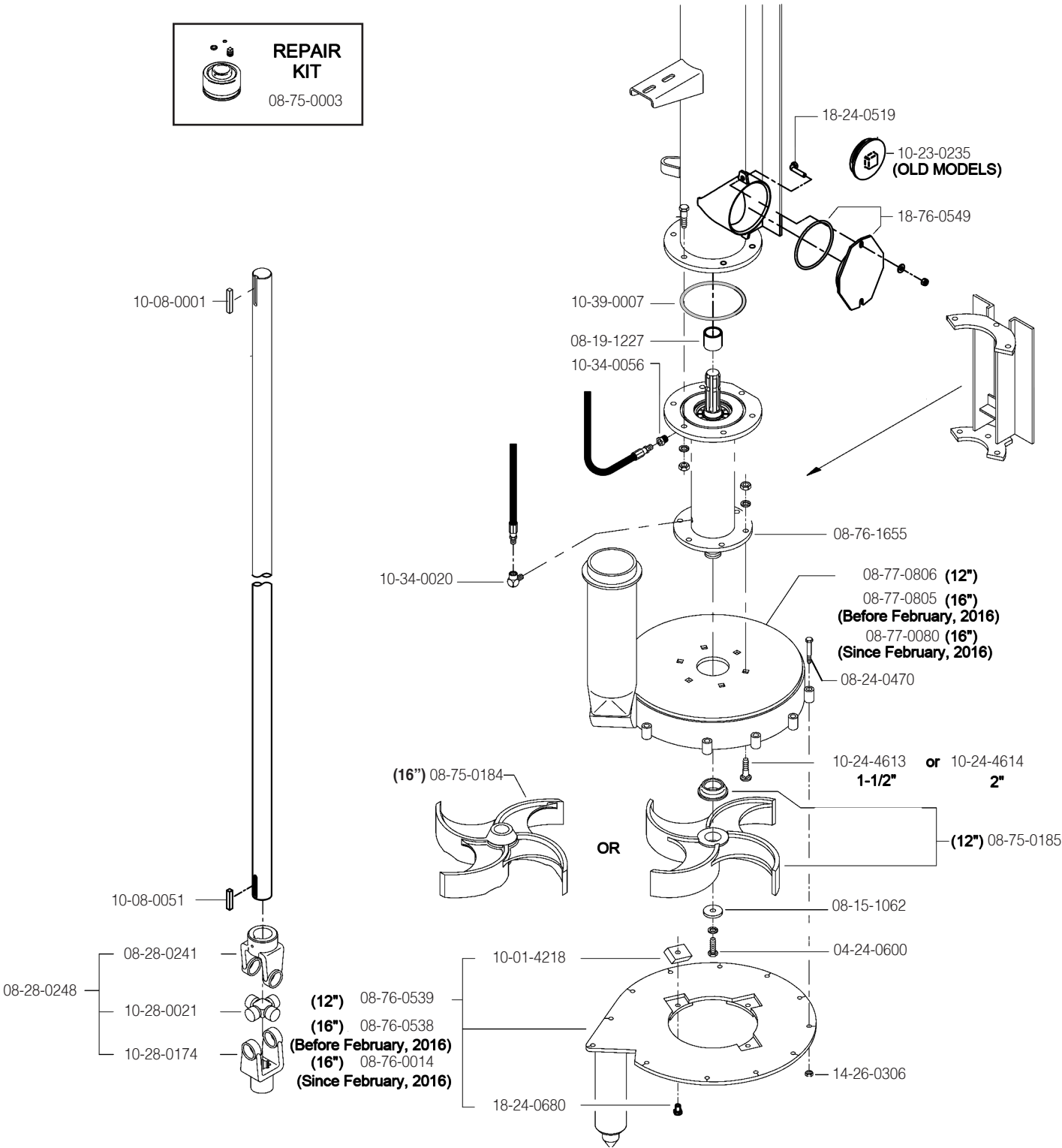
ELECTRIC PUMPS
4" HIGH PRESSURE PUMP - UPPER SECTION



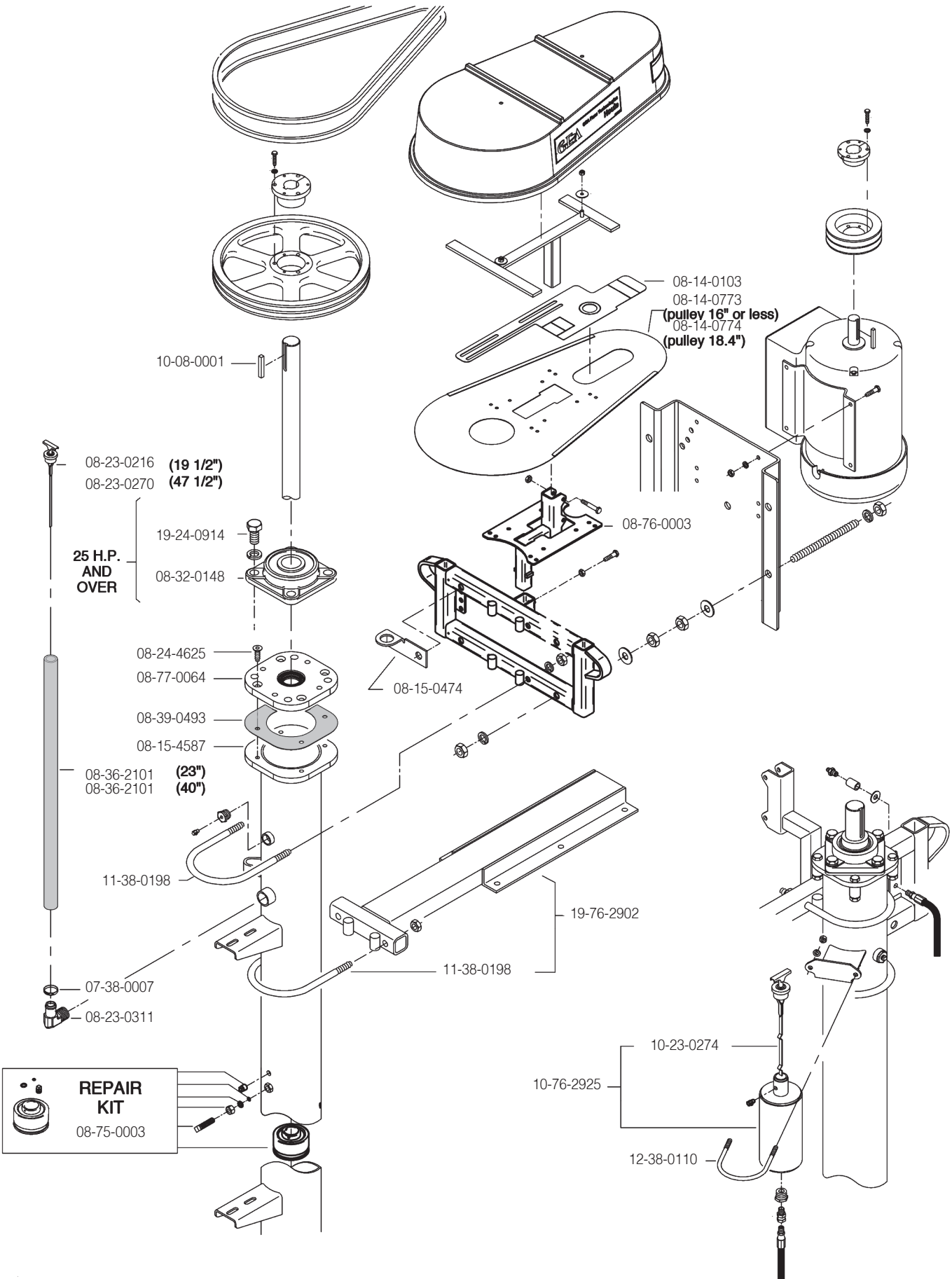
4" PUMP FOR LIQUID DAIRY MANURE - UPPER SECTION



4" PUMP FOR LIQUID DAIRY MANURE - LOWER SECTION

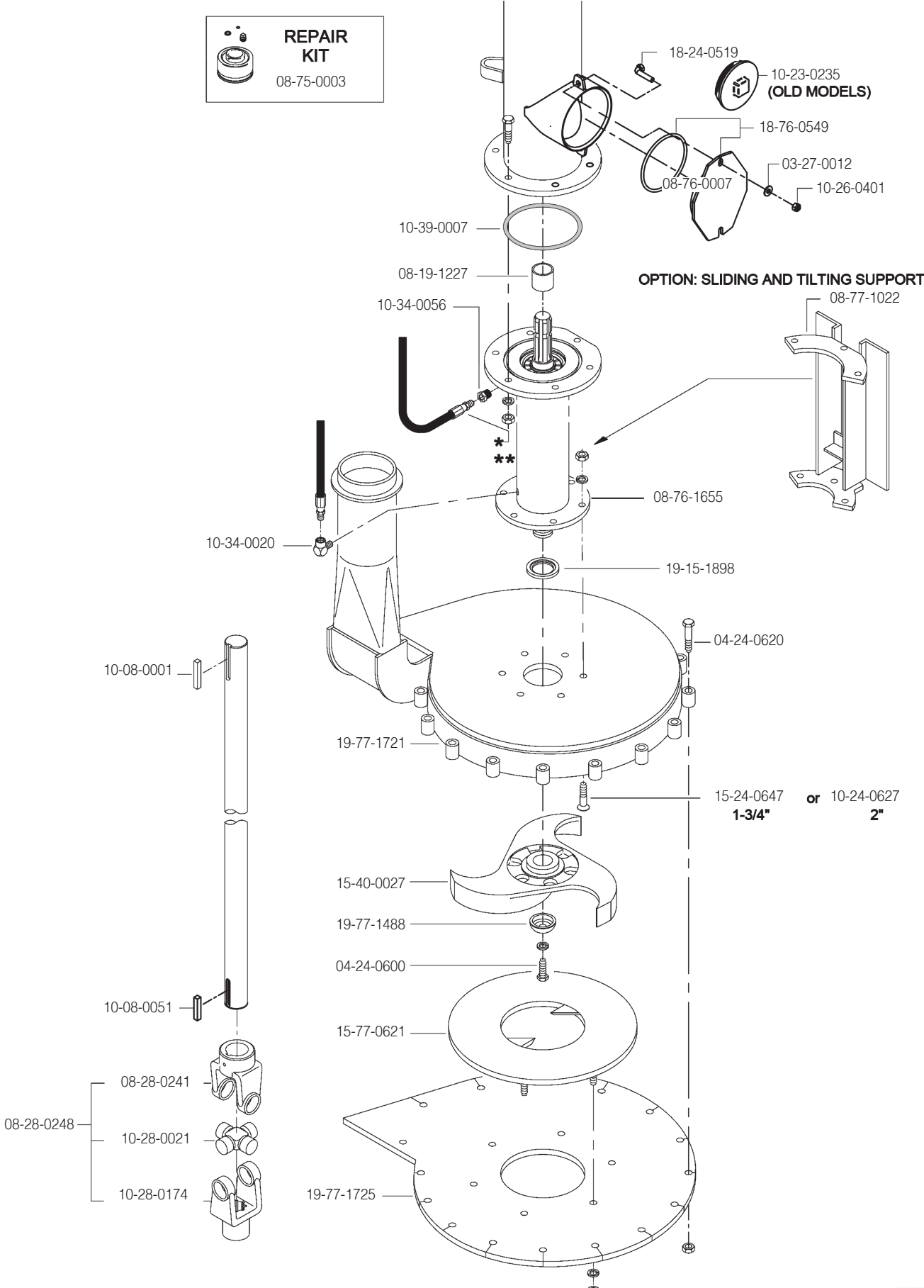


4" HIGH PRESSURE PUMP - UPPER SECTION

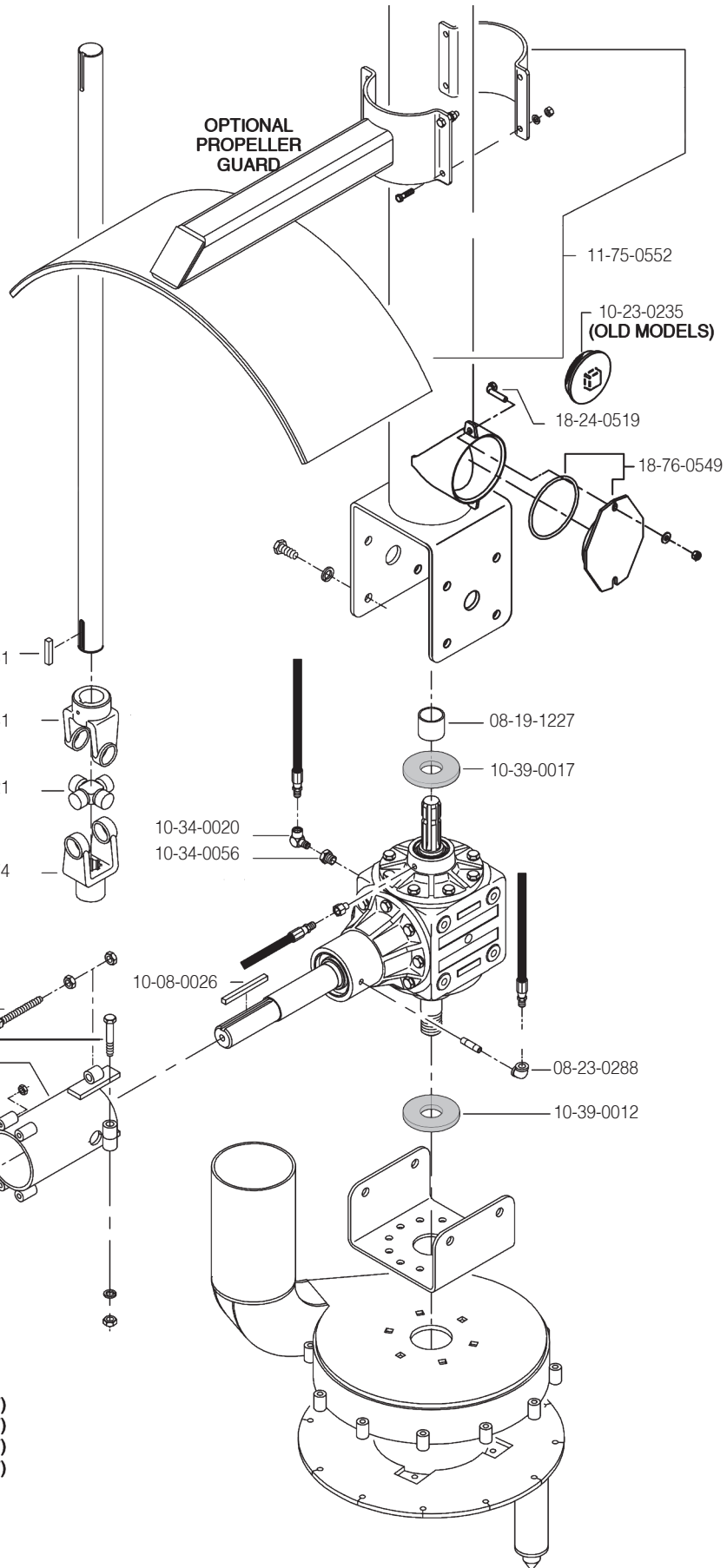
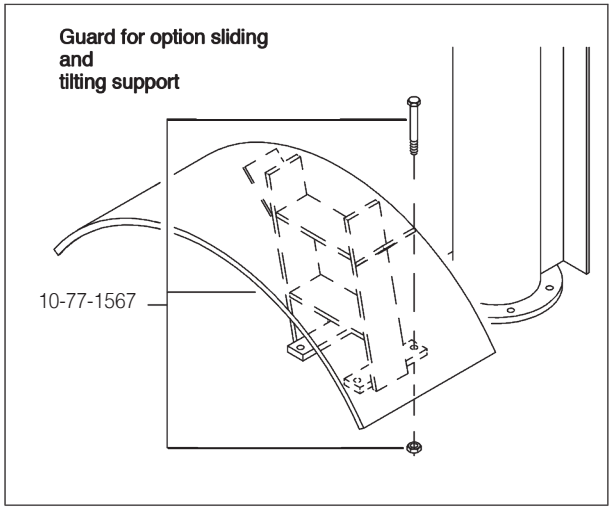


4" HIGH PRESSURE PUMP - LOWER SECTION

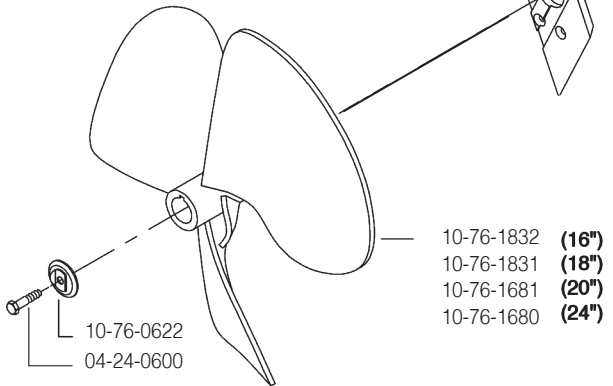
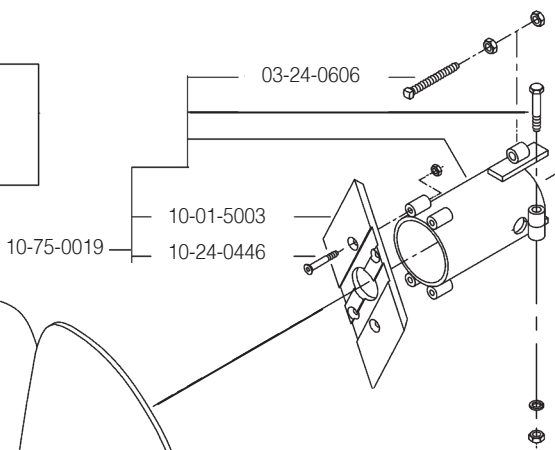
REPAIR KIT
08-75-0003



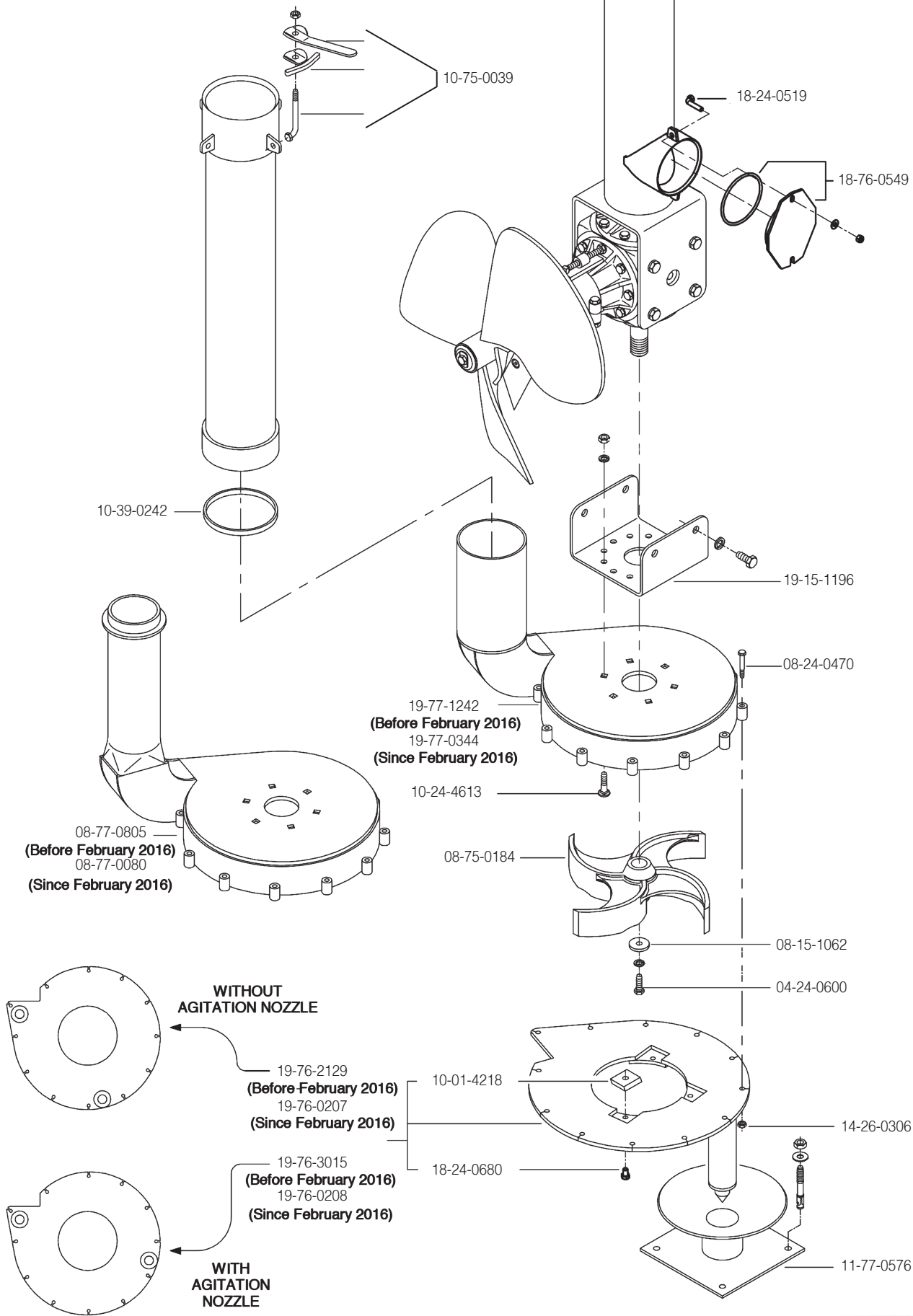
4" AGI-PUMP, GEAR BOX AND PROPELLER



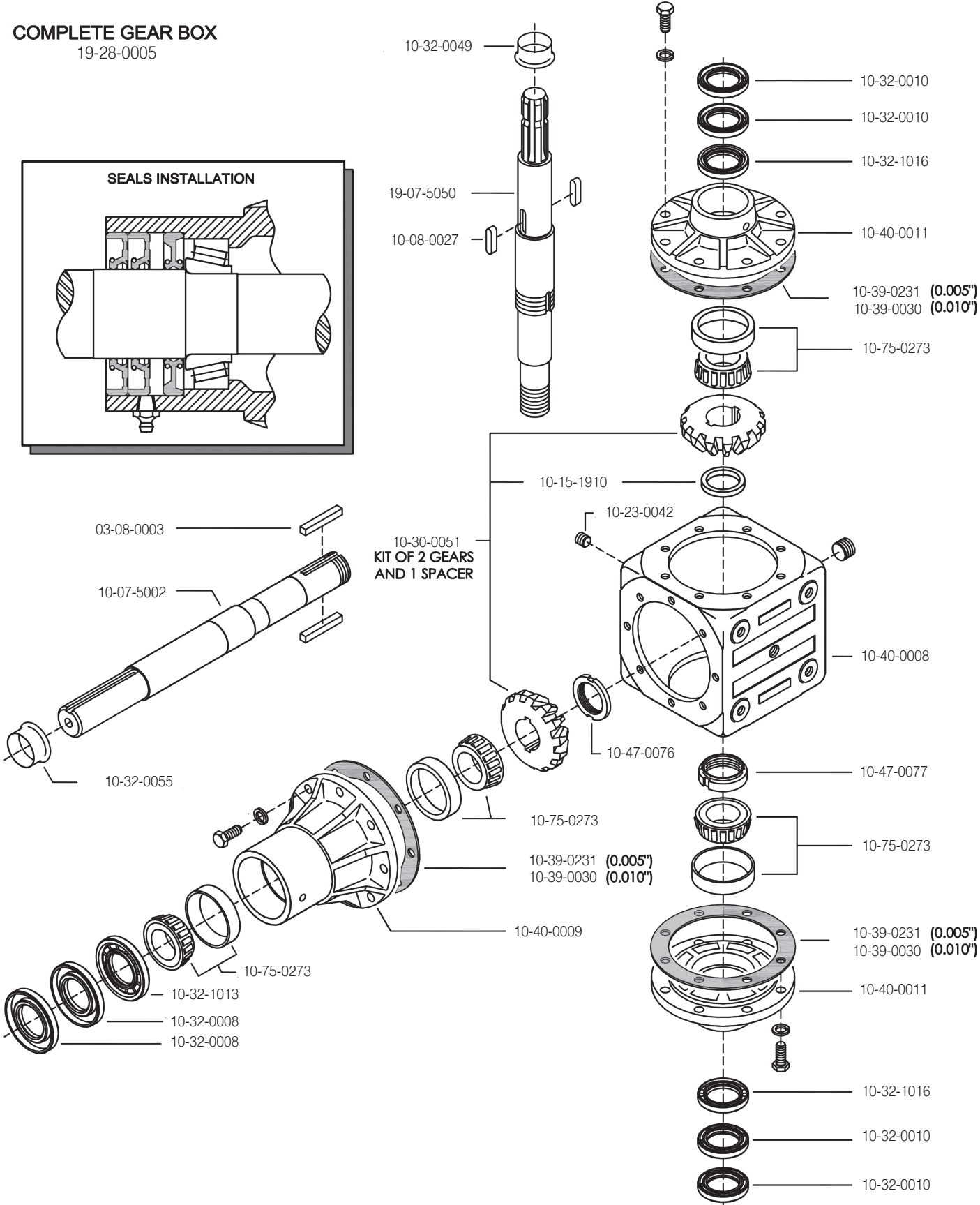
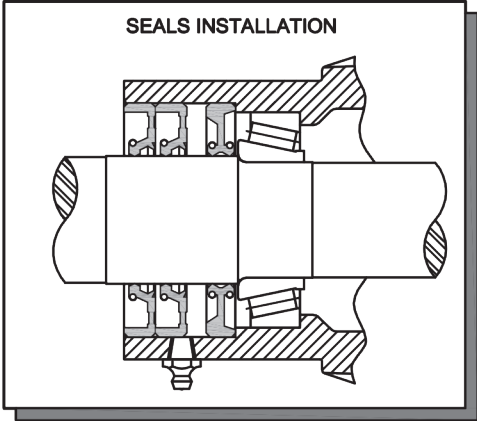
REPAIR KIT
08-75-0003



4" AGI-PUMP, IMPELLER AND HOUSING

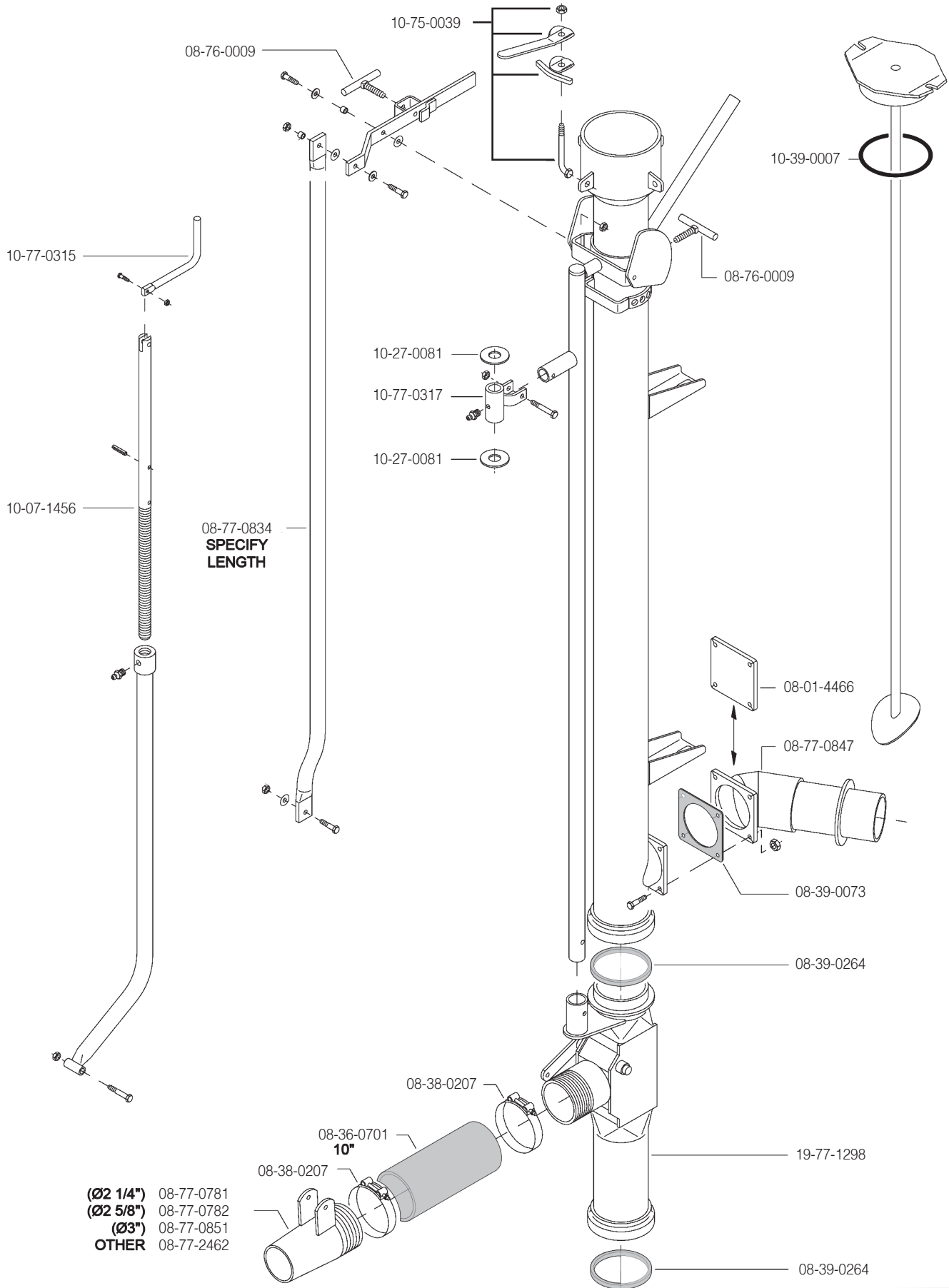


COMPLETE GEAR BOX
19-28-0005

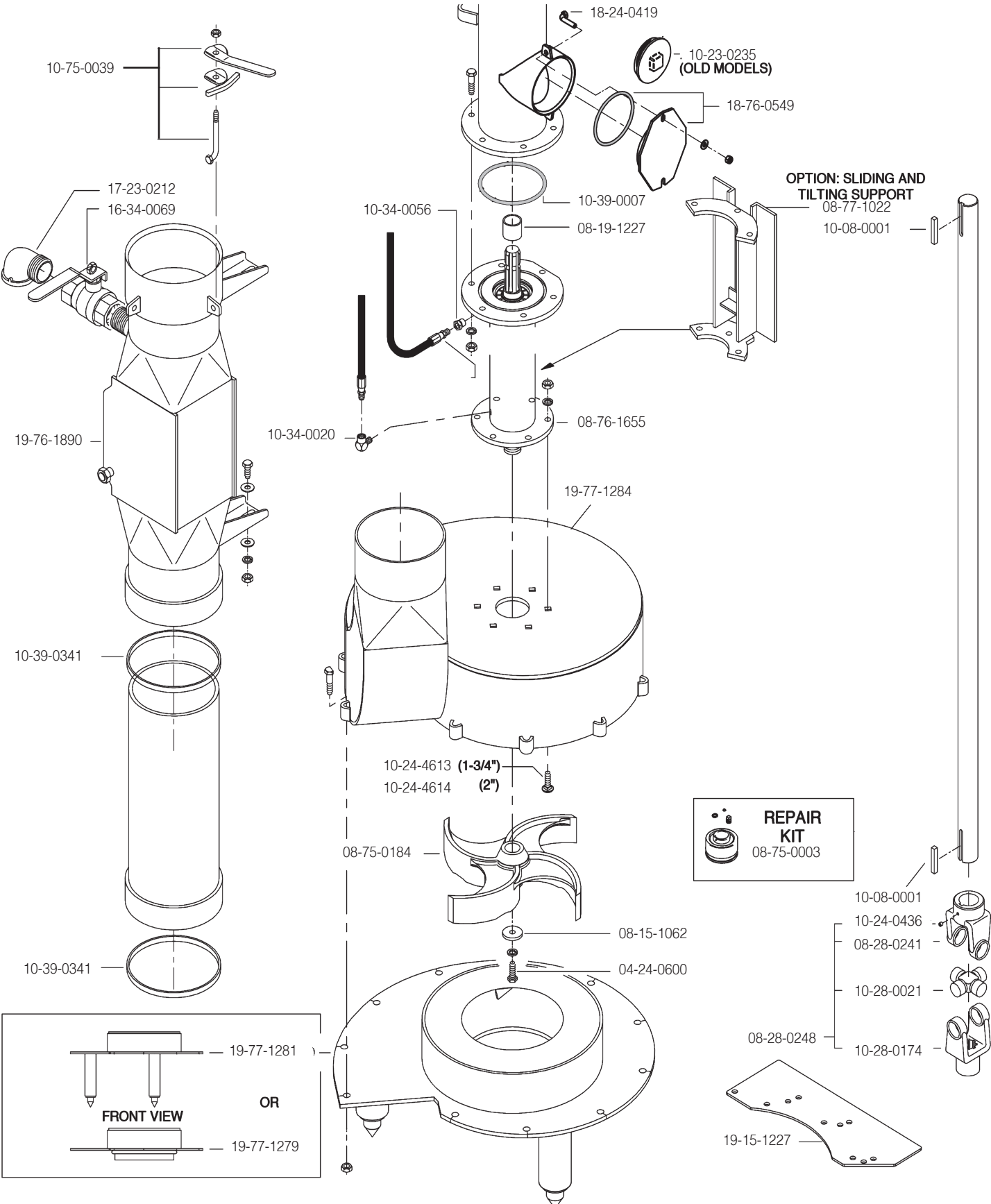


ELECTRIC PUMPS

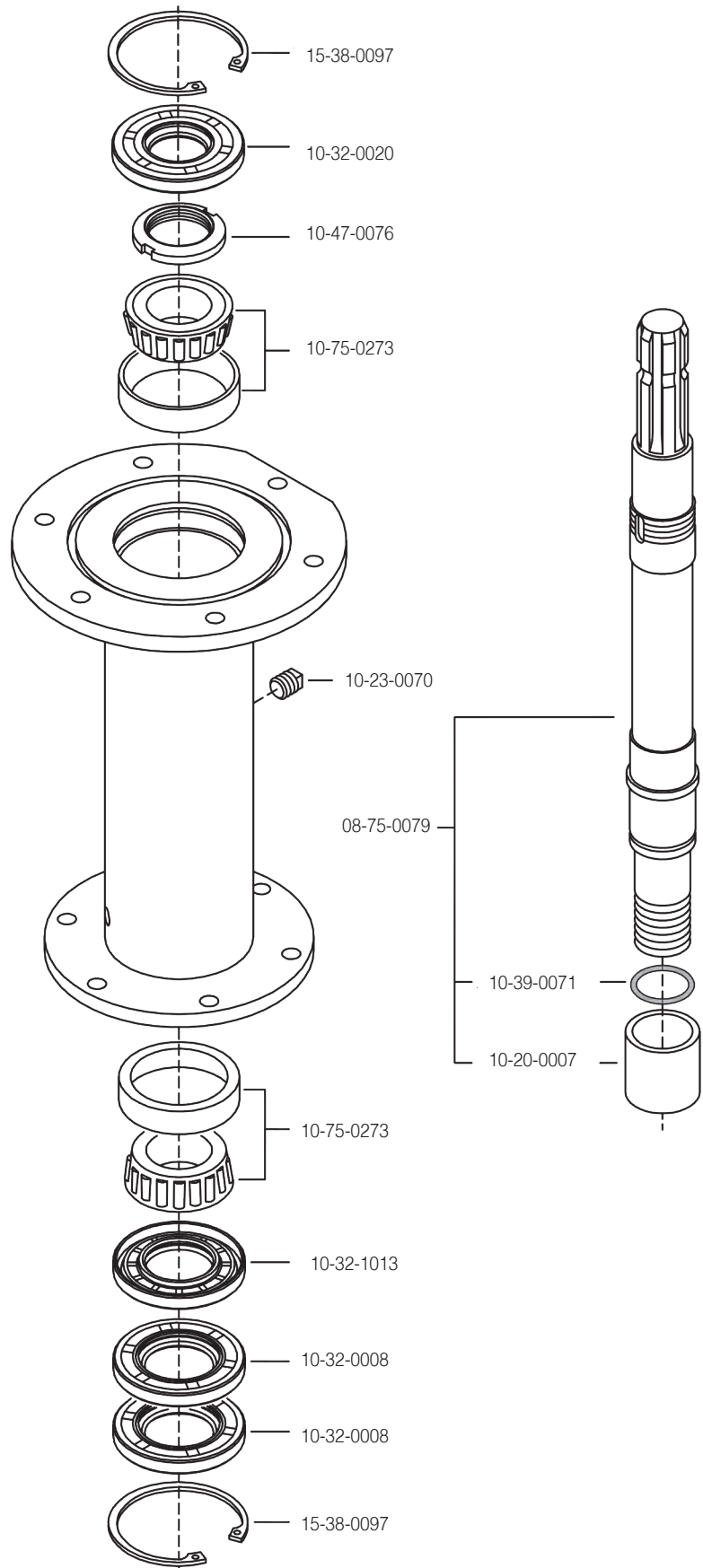
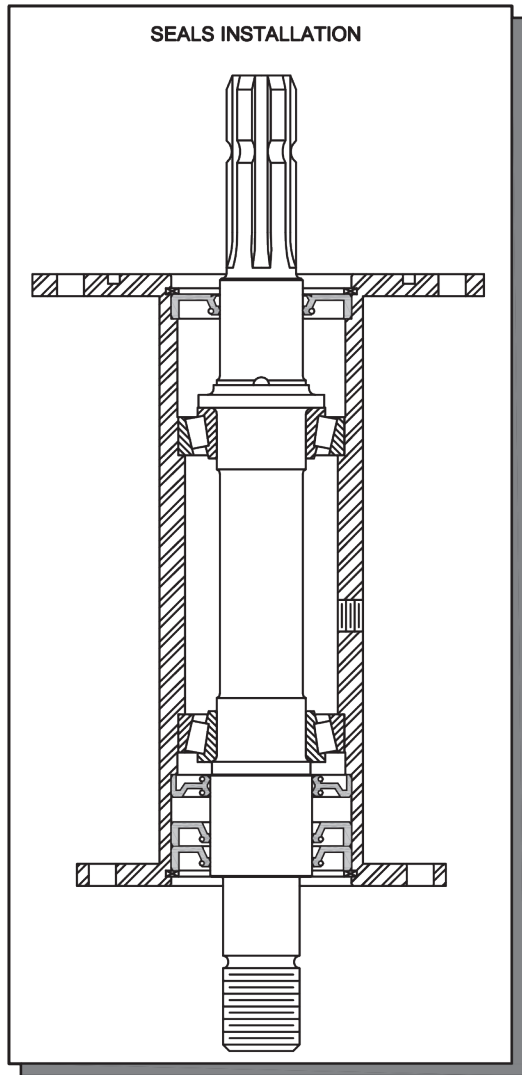
4" AGI-PUMP - AGITATION NOZZLE



8" FLUSH PUMP - LOWER SECTION

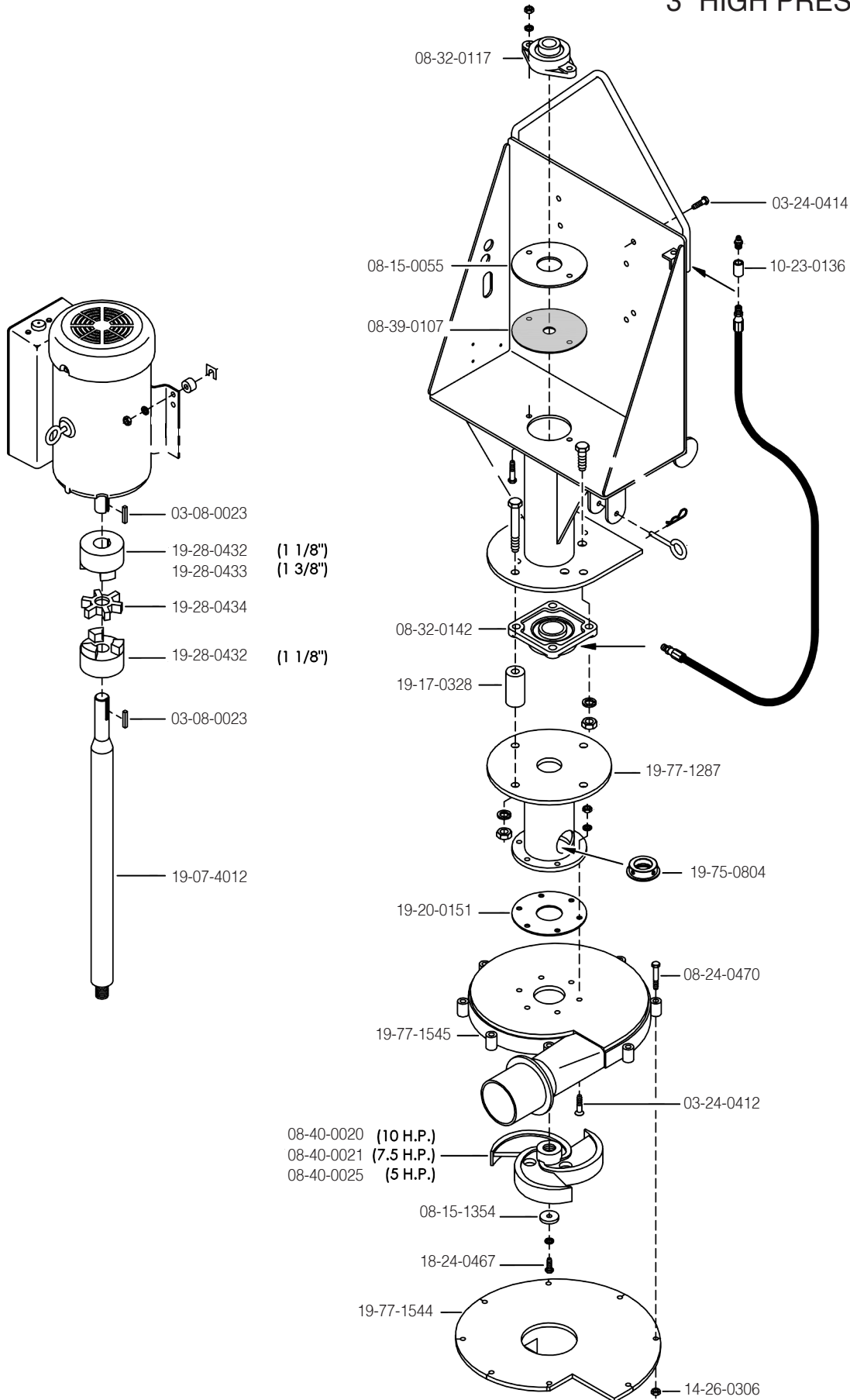


COMPLETE BEARING HOUSING

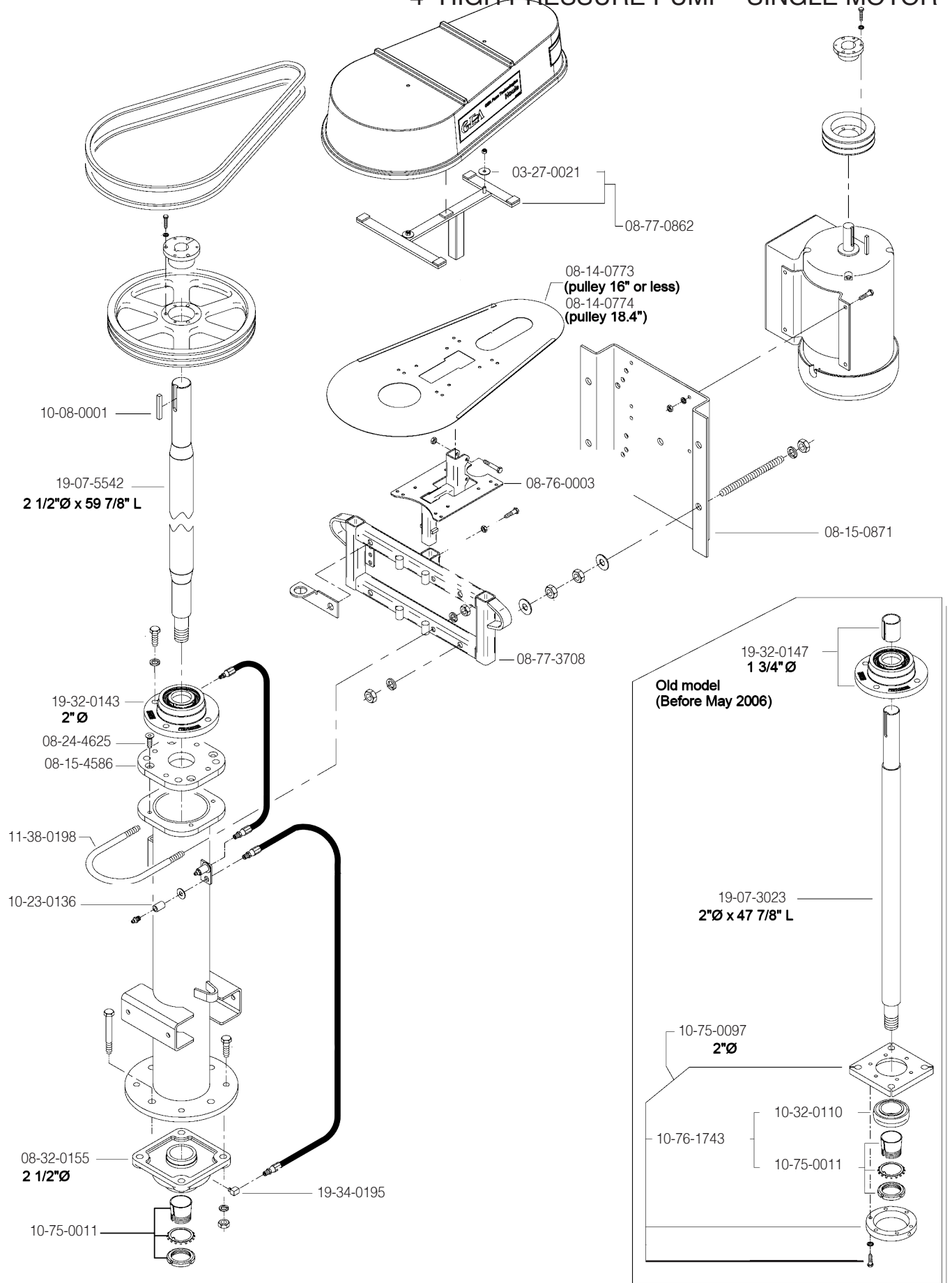


PONTOON PARTS

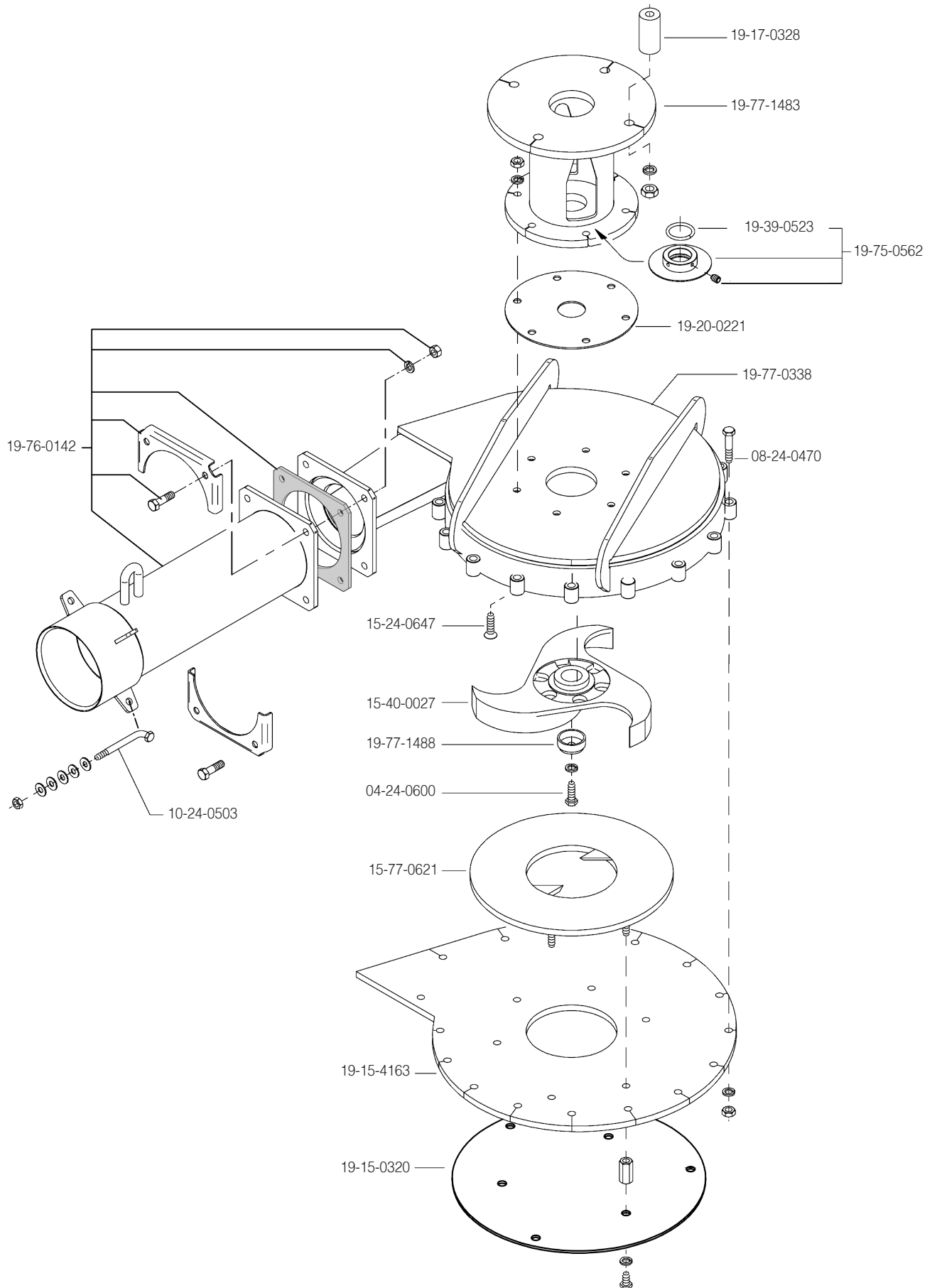
3" HIGH PRESSURE PUMP



4" HIGH PRESSURE PUMP - SINGLE MOTOR

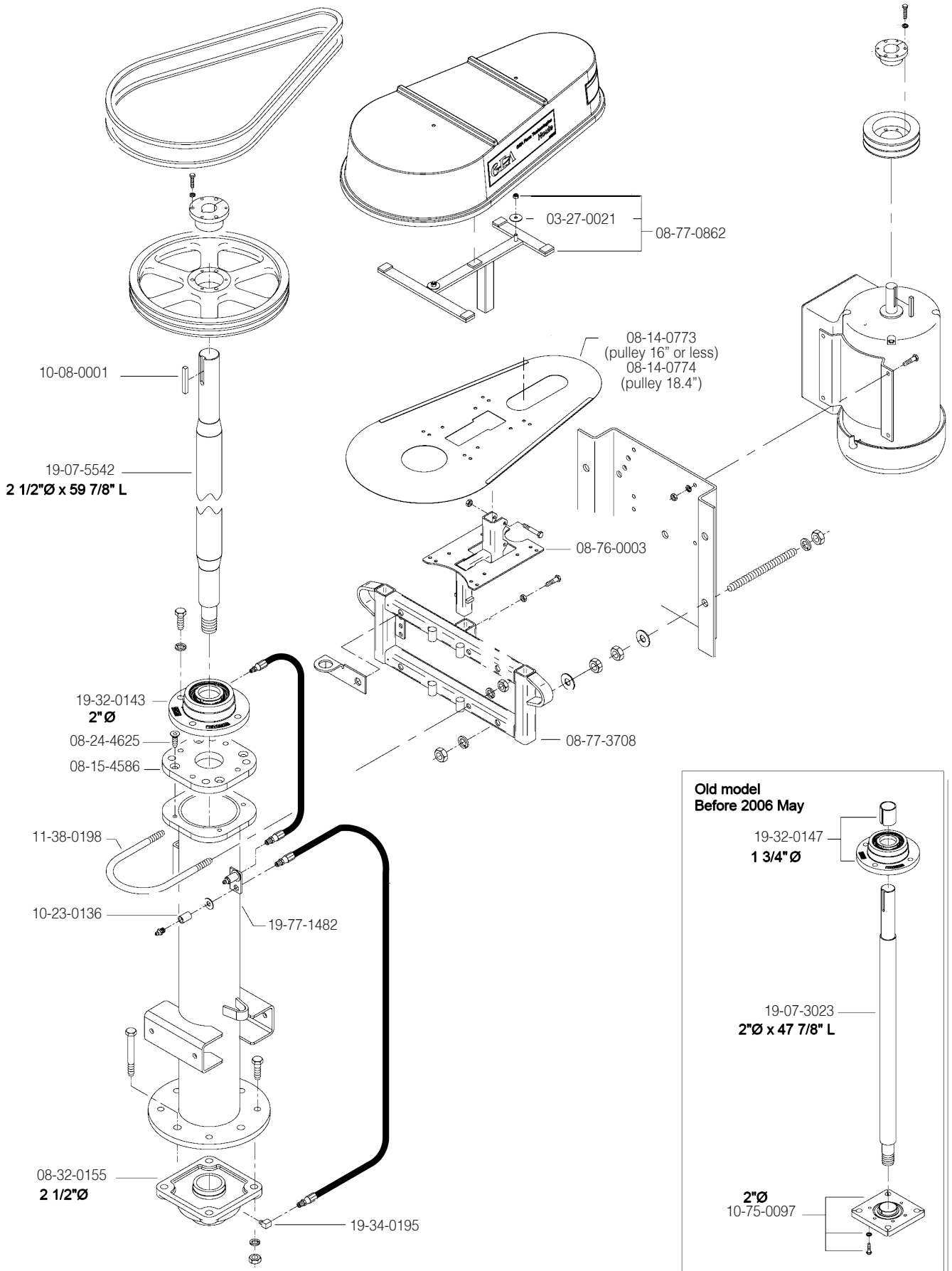


4" HIGH PRESSURE PUMP - IMPELLER AND HOUSING

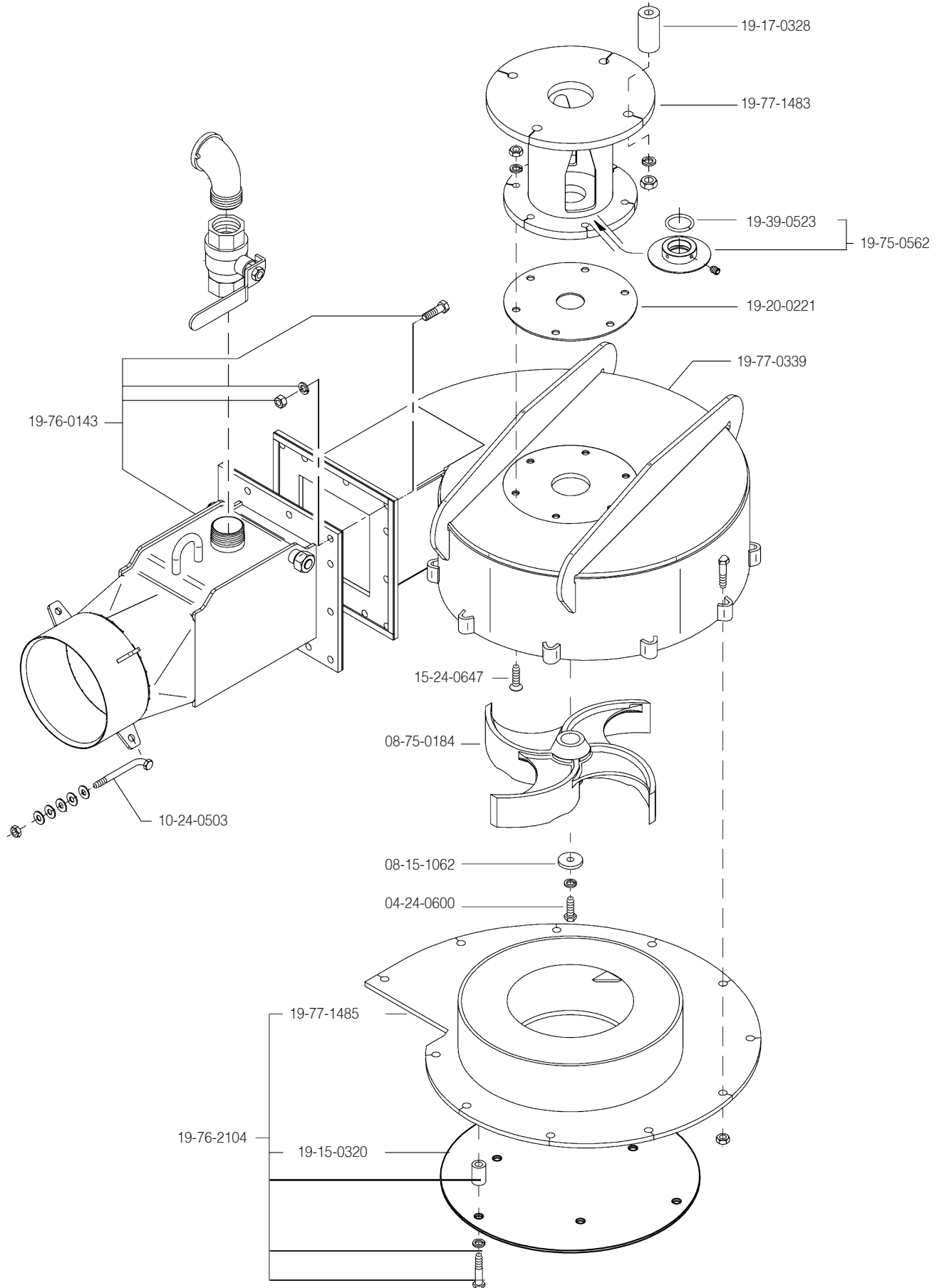


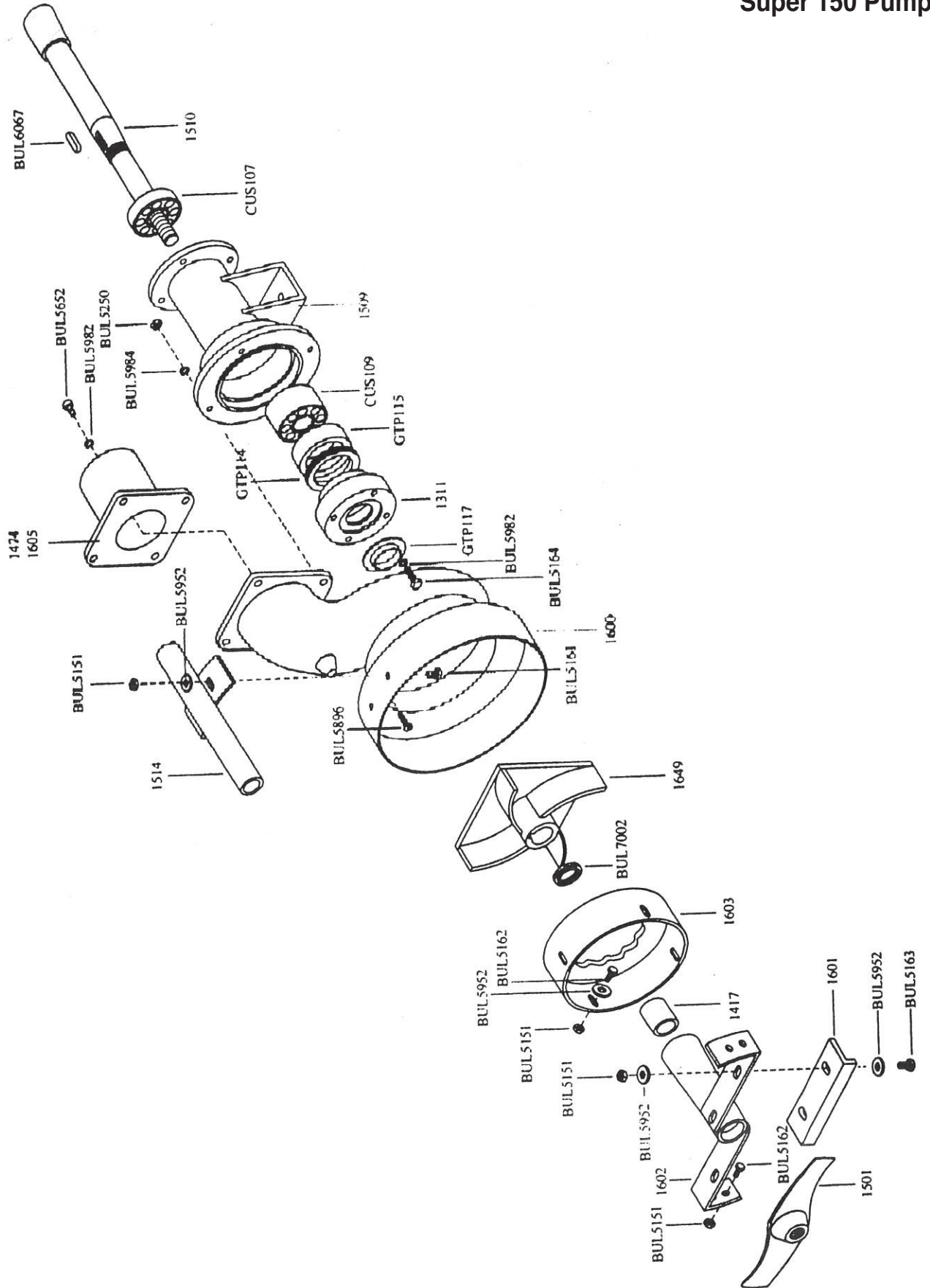
PONTOON PARTS

8" FLUSH PUMP - SINGLE MOTOR



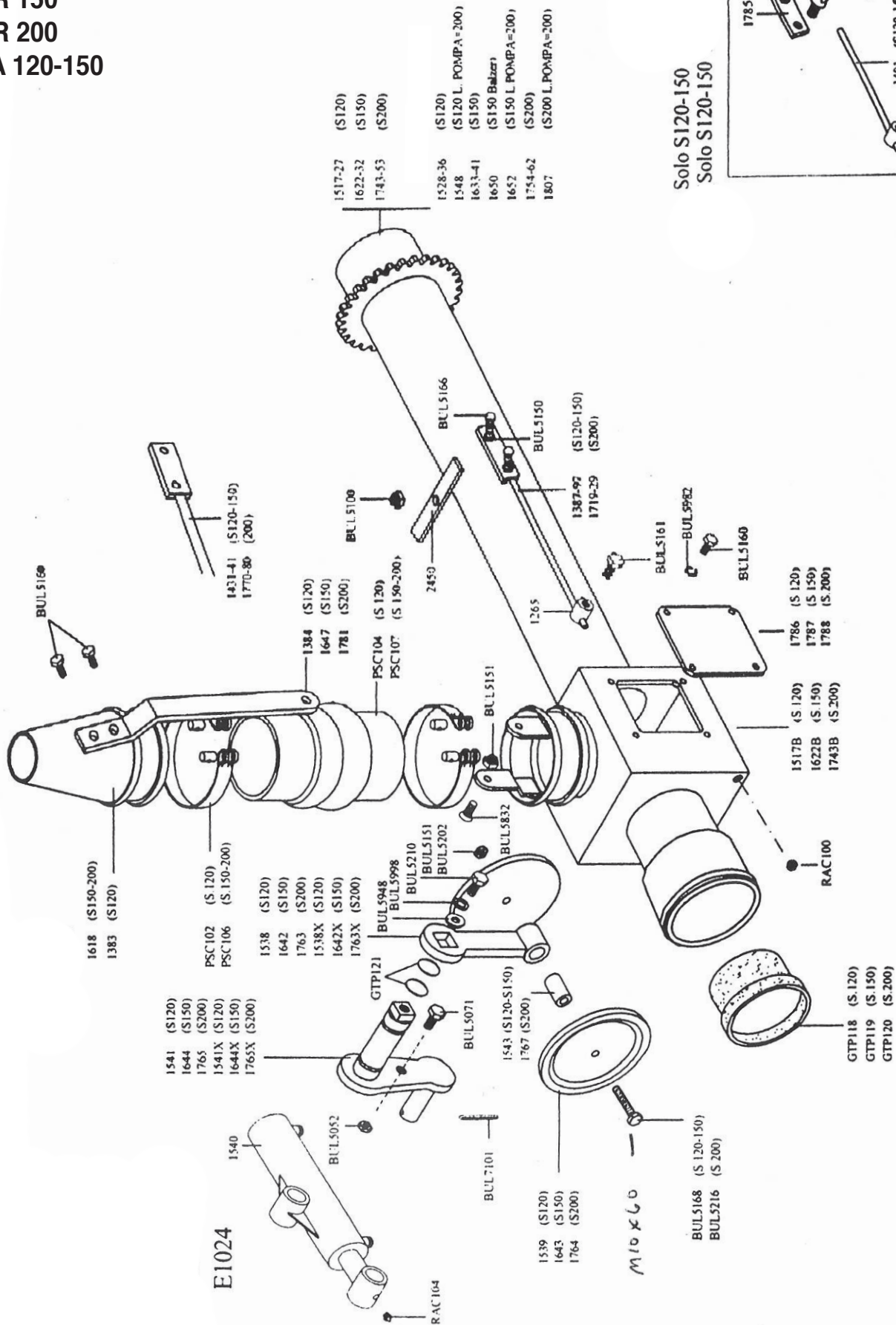
8" FLUSH PUMP - IMPELLER AND HOUSING



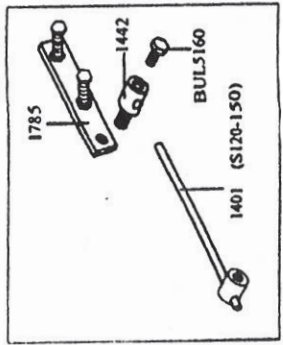


DODA

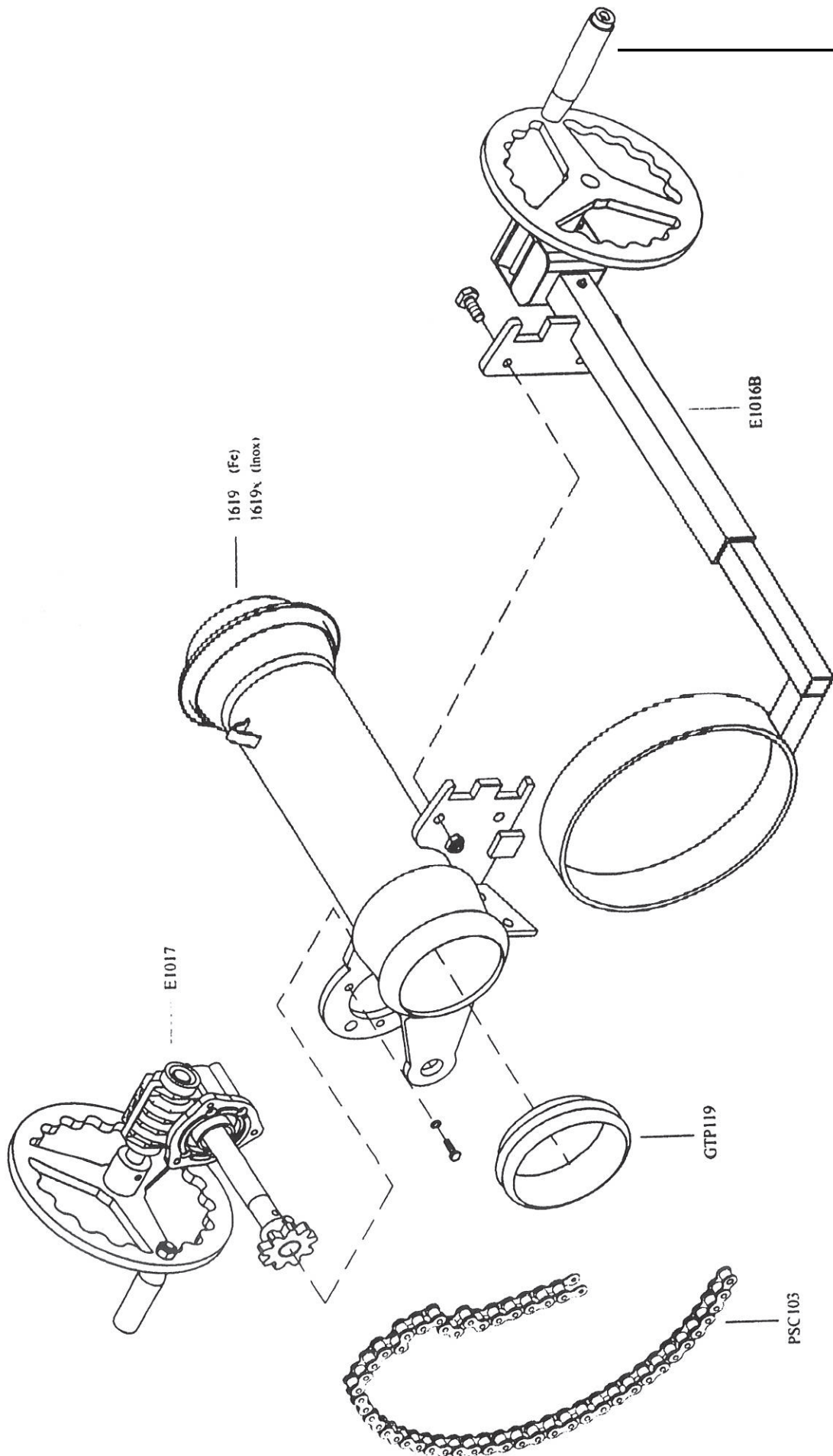
- SUPER 120
- SUPER 150
- SUPER 200
- ULTRA 120-150



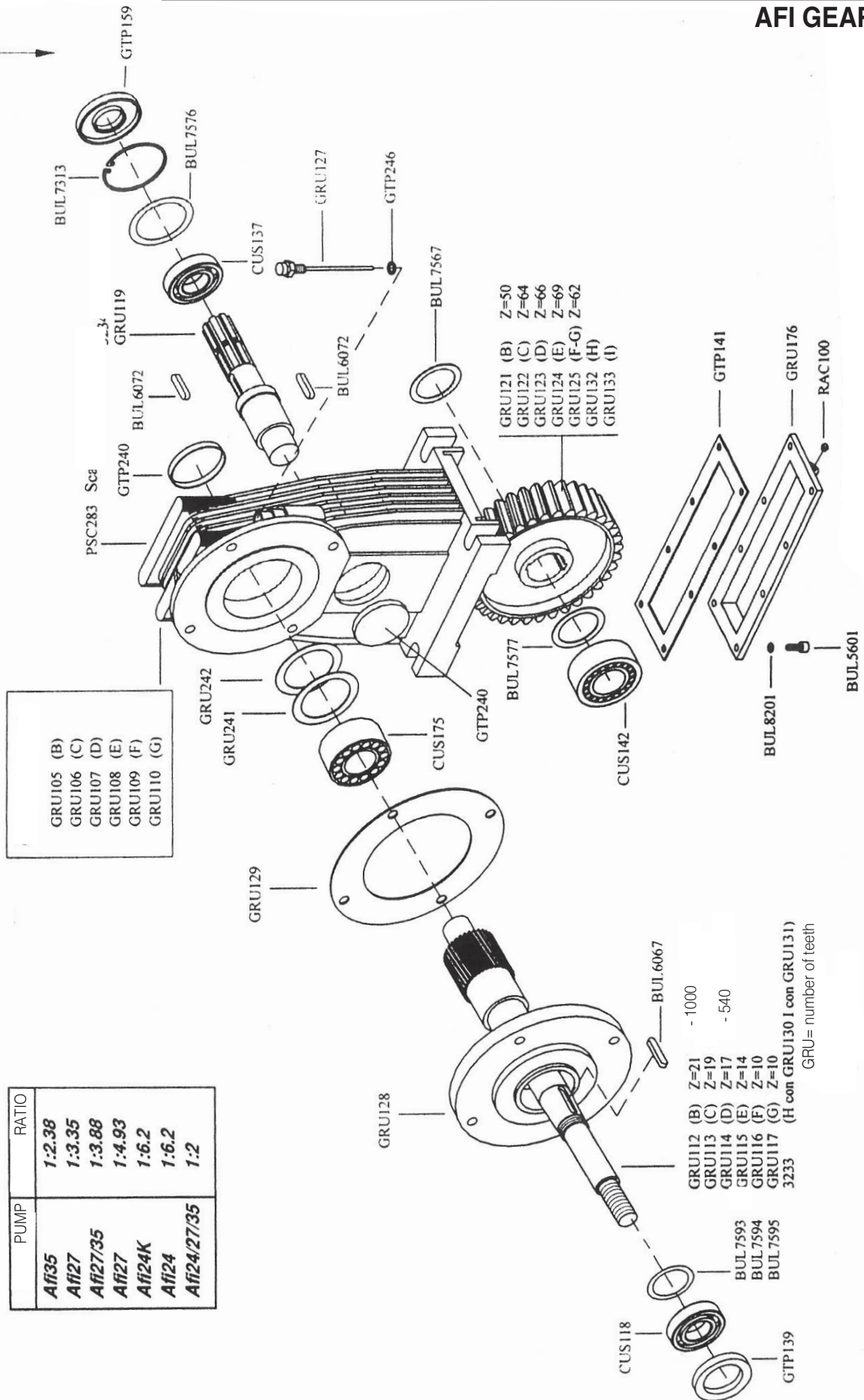
Solo S120-150
Solo S120-150



CAN'T FIND WHAT YOU'RE LOOKING FOR? GIVE US A CALL AT 866-918-2081.



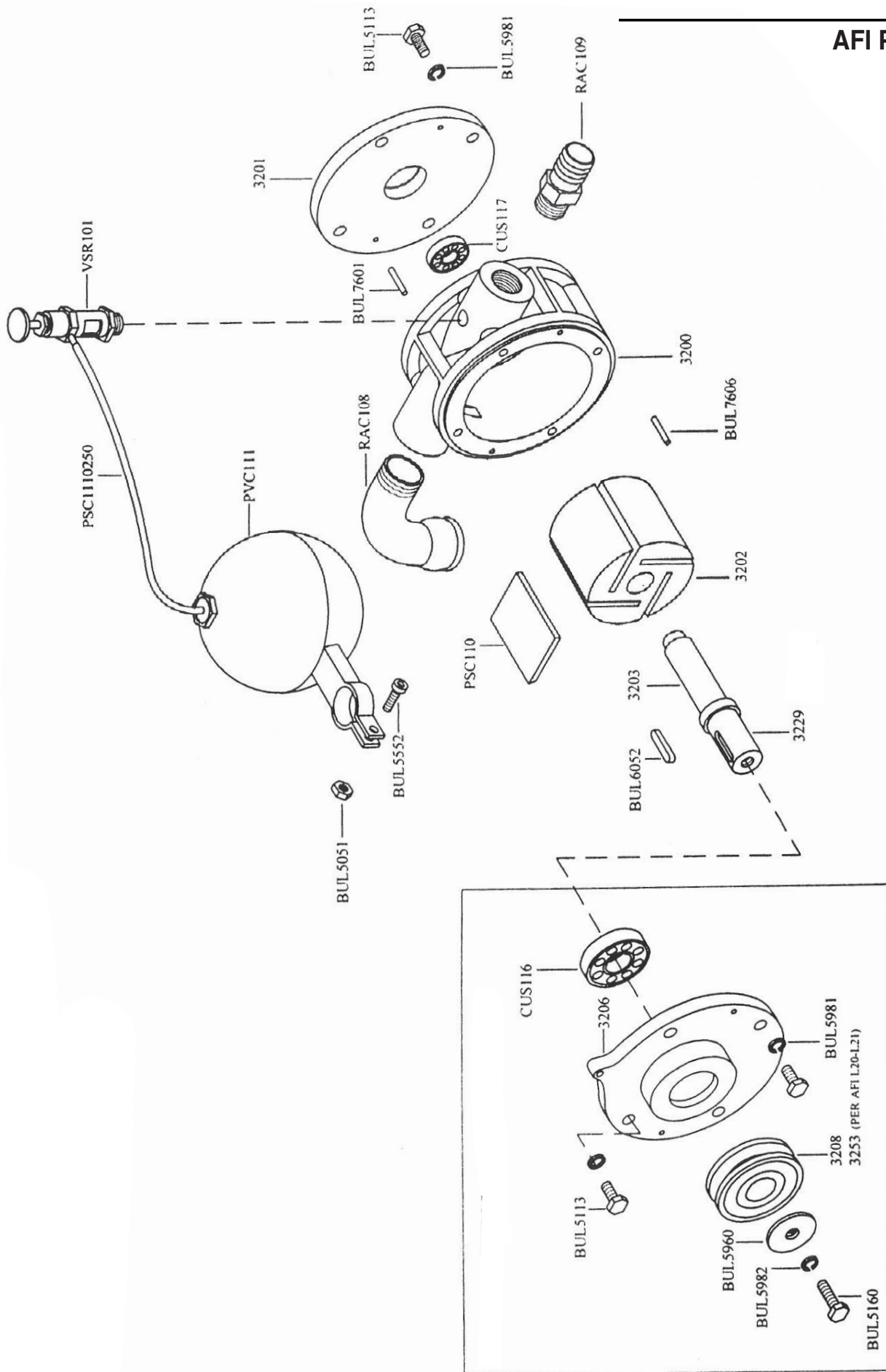
E5204



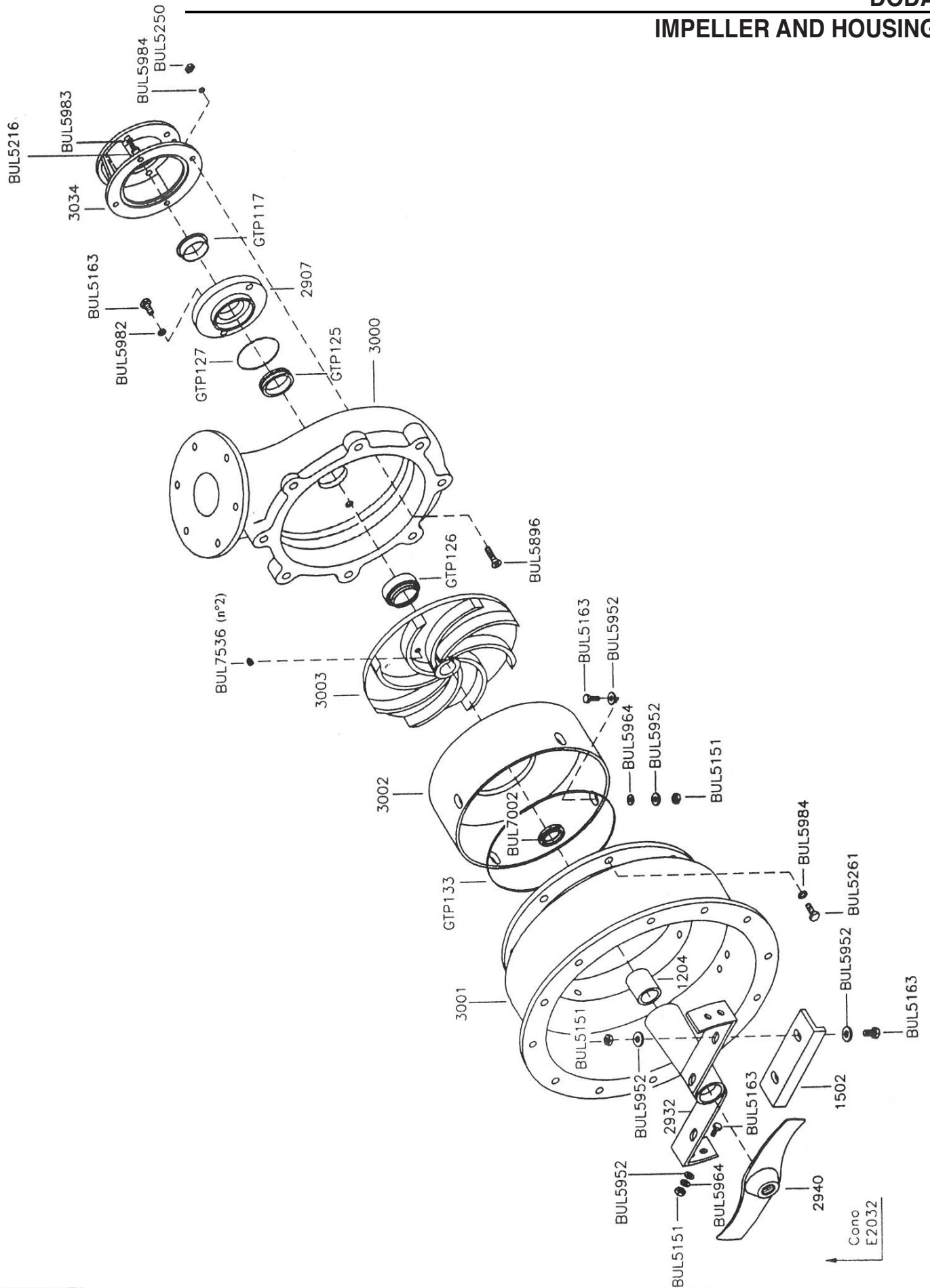
| |
|------------|
| GRU105 (B) |
| GRU106 (C) |
| GRU107 (D) |
| GRU108 (E) |
| GRU109 (F) |
| GRU110 (G) |

| PUMP | RATIO |
|-------------|--------|
| AF135 | 1:2.38 |
| AF127 | 1:3.35 |
| AF127/35 | 1:3.88 |
| AF127 | 1:4.93 |
| AF124K | 1:6.2 |
| AF124 | 1:6.2 |
| AF124/27/35 | 1:2 |

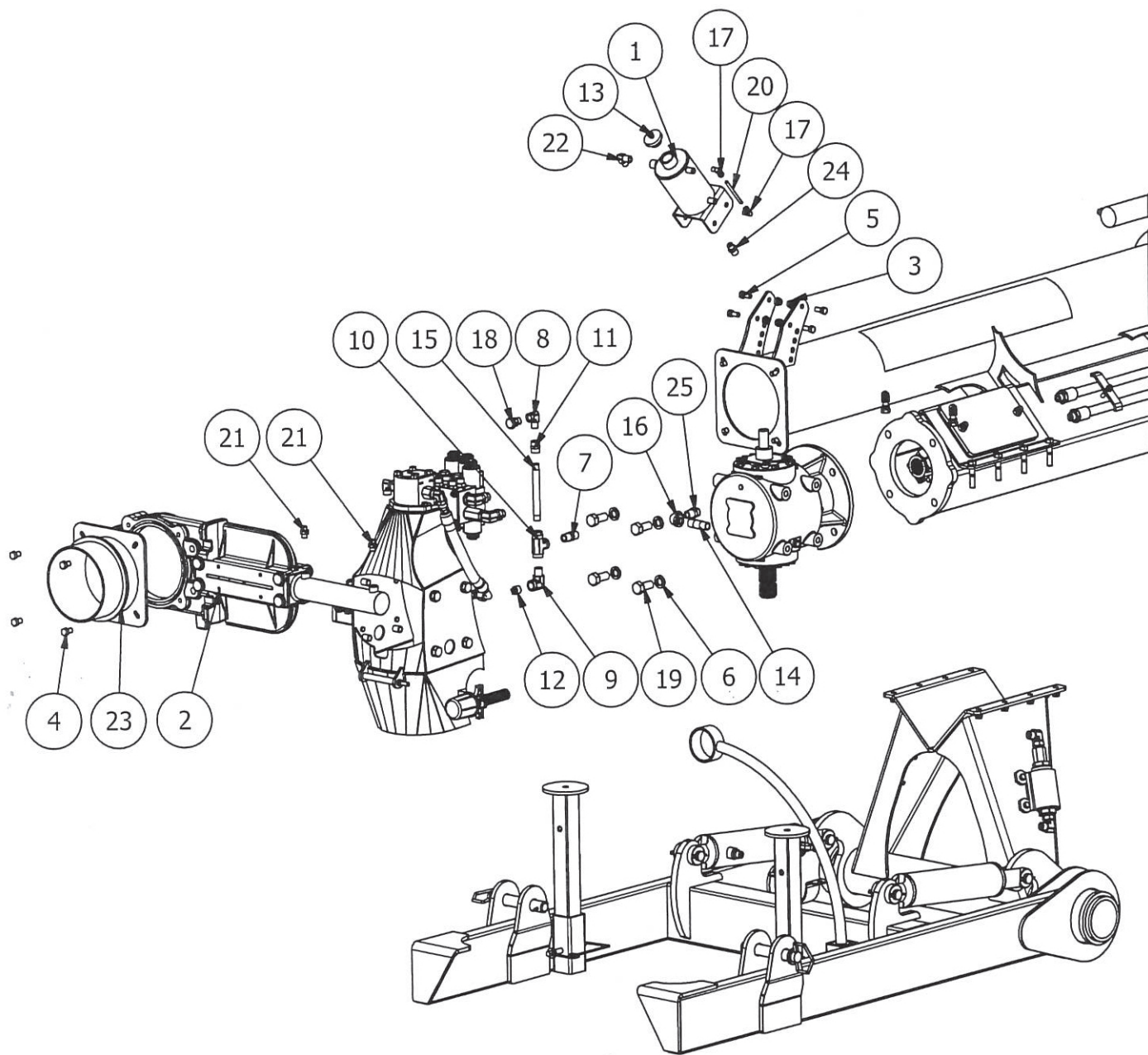
GRU112 (B) Z=21
 GRU113 (C) Z=19
 GRU114 (D) Z=17
 GRU115 (E) Z=14
 GRU116 (F) Z=10
 GRU117 (G) Z=10
 3233 (H con GRU130 I con GRU131)
 GRU= number of teeth



DODA IMPELLER AND HOUSING



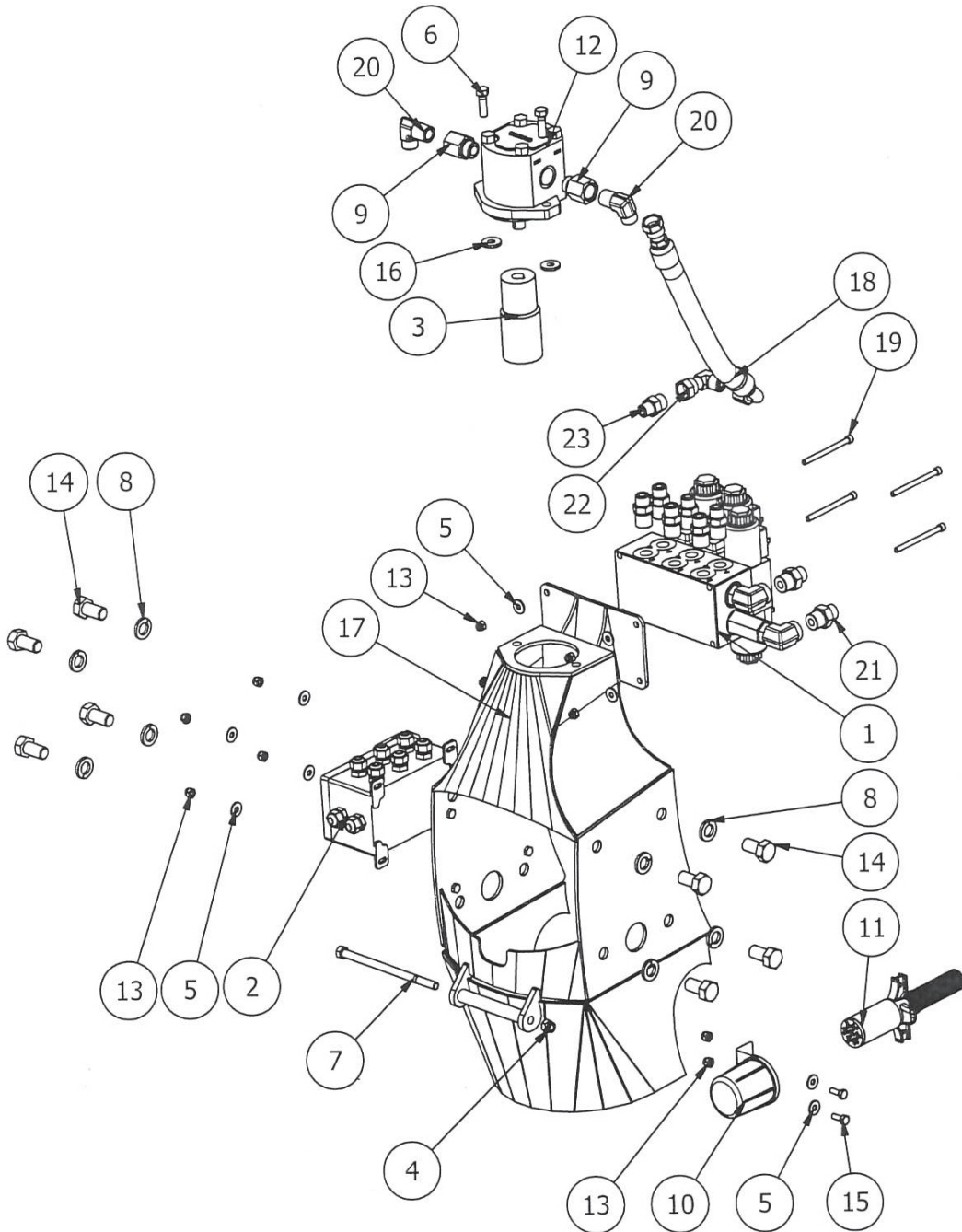
VERTICAL PIT PUMP - 8FT
TOP END ASSEMBLY



**VERTICAL PIT PUMP - 8FT
TOP END ASSEMBLY**

| ITEM | QTY | PART # | DESCRIPTION |
|------|-----|--------------|---|
| 1 | 1 | N100-644 | Mech-TC Sealing System - Oil Can |
| 2 | 1 | N100-722 | Stem Valve - 8" Cast Iron w/ SS Gate - Gladio w/ Cylinder |
| 3 | 60 | N100-903 | Nut - Nylock |
| 4 | 16 | N100-923 | Bolt - Hex Head |
| 5 | 4 | N101-047 | Bolt - Hex Heade |
| 6 | 4 | N101-203 | Washer - Lock |
| 7 | 1 | N101-535 | Hyd. Adaptor - Hex Nipple #8 |
| 8 | 1 | N101-538 | Hyd Adaptor - 90° Elbow |
| 9 | 1 | N101-539 | Hyd Adaptor - 90° Elbow |
| 10 | 1 | N101-543 | Hyd Adaptor - Tee |
| 11 | 1 | N101-551 | Hyd Adaptor - Straight |
| 12 | 1 | N101-805 | Hyd Fitting - Plug |
| 13 | 1 | N102-384 | Oil Fill Cap w/ Hooded Breather |
| 14 | 1 | N102-754 | Pipe - Nipple |
| 15 | 1 | N102-923 | Pipe - Nipple |
| 16 | 1 | N103-201 | Pipe - 90° Elbow |
| 17 | 2 | N103-749 | Hyd Fitting - Compression Sleeve - Brass |
| 18 | 1 | N103-809 | Plug - Hooded Breather |
| 19 | 4 | N104-098 | Bolt - Hex Head |
| 20 | 1 | N104-399x.03 | Tube -Semi Rigid Nylon |
| 21 | 4 | N104-444 | Hyd Adaptor - Straight |
| 22 | 1 | N104-451 | Hyd Adaptor - 90° Elbow |
| 23 | 1 | N104-608 | Flange - 8" Male to 10" Square |
| 24 | 1 | N104-821 | Hyd Adaptor - Straight |
| 25 | 1 | N104-831 | Hyd Adaptor - Straight |

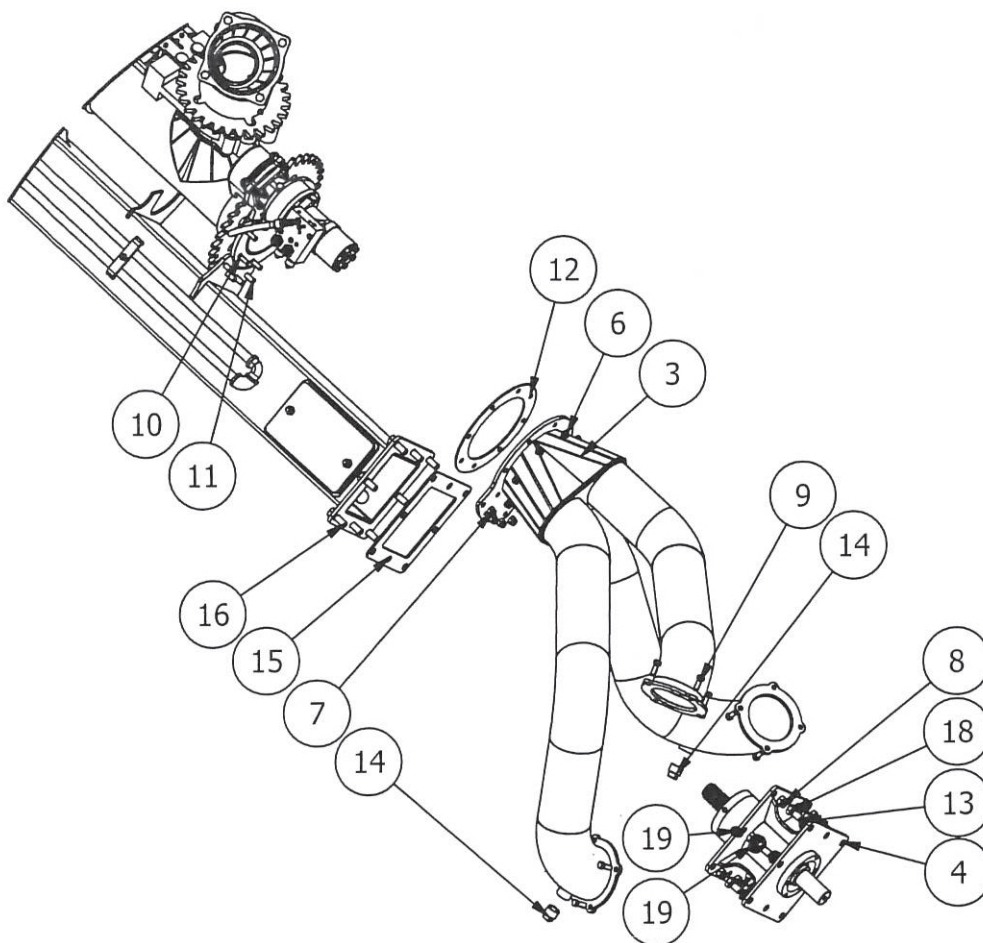
**VERTICAL PIT PUMP - 8FT
GEAR BOX SHIELD ASSEMBLY**



**VERTICAL PIT PUMP - 8FT
GEAR BOX SHIELD ASSEMBLY**

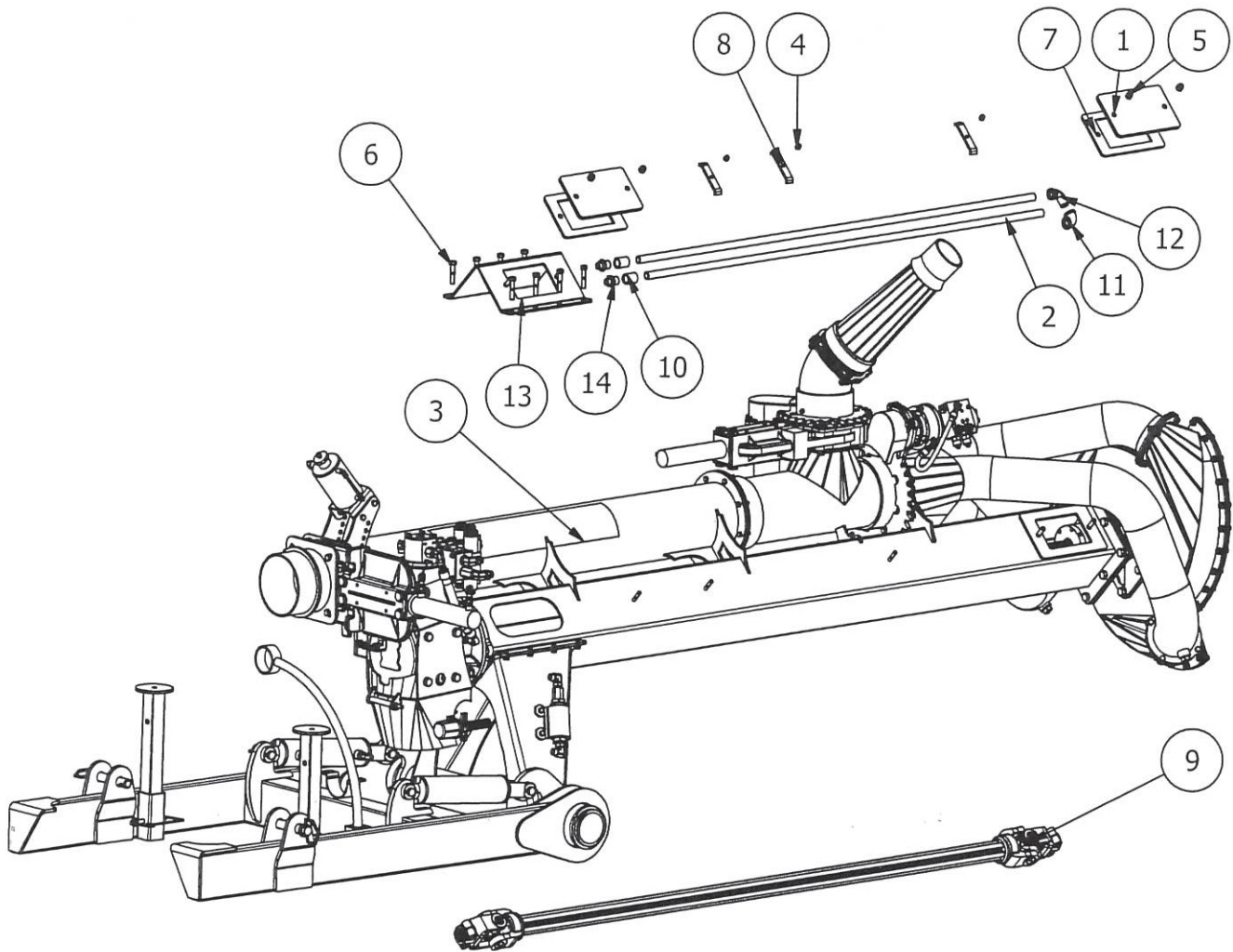
| ITEM | QTY | PART # | DESCRIPTION |
|------|-----|-----------|--|
| 1 | 1 | N100-711 | Vertical Pit Pump - Remote - Wireless + Hyd Control |
| 2 | 1 | N100-741 | Remote - Vertical Pit Pump - TKMacro/RKMini & Cables |
| 3 | 1 | N100-780 | Vertical Pit Pump - Oil Cooler Shaft Adaptor |
| 4 | 18 | N100-902 | Nut - Nylock |
| 5 | 10 | N101-919 | Washer - Flat |
| 6 | 6 | N101-034 | Bolt - Hex Head |
| 7 | 1 | N101-044 | Bold - Hex Head |
| 8 | 16 | N101-187 | Washer - ock |
| 9 | 2 | N101-575 | Hyd Adaptor - Striaght |
| 10 | 1 | N102-253 | Haldex - Receptacle Bot |
| 11 | 1 | N102-255 | Haldex - 7 Way Heavy Duty Plug w/ Spring Guard |
| 12 | 1 | N102-376 | Veritcal Pit Pump - Hydraulic - Pump |
| 13 | 10 | N102-521 | Nut - Nylock |
| 14 | 8 | N103-087 | Bolt - Hex Head |
| 15 | 2 | N103-111 | Bolt - Hex Head |
| 16 | 2 | N103-673 | Washer - Neoprene Black |
| 17 | 1 | N103-727 | Veritcal pit Pump - Gear Box Cover/Shield |
| 18 | 1 | N104-088 | Vertical Pit Pump - Gear Box Suction Line |
| 19 | 4 | N104-267 | Bolt - Socket Head - Black Oxide |
| 20 | 2 | N104-452 | Hyd Adaptor - 90° Elbow |
| 21 | 2 | N104-458 | Hyd Adaptor - Straight |
| 22 | 1 | N104-463 | Hyd Adaptor - 90° Elbow |
| 23 | 1 | N104-463 | Hyd Adaptor - Straight |
| 24 | 1 | N-105-590 | Clear Gearbox Oil Line |

**VERTICAL PIT PUMP - 8FT
BOTTOM HOUSING**



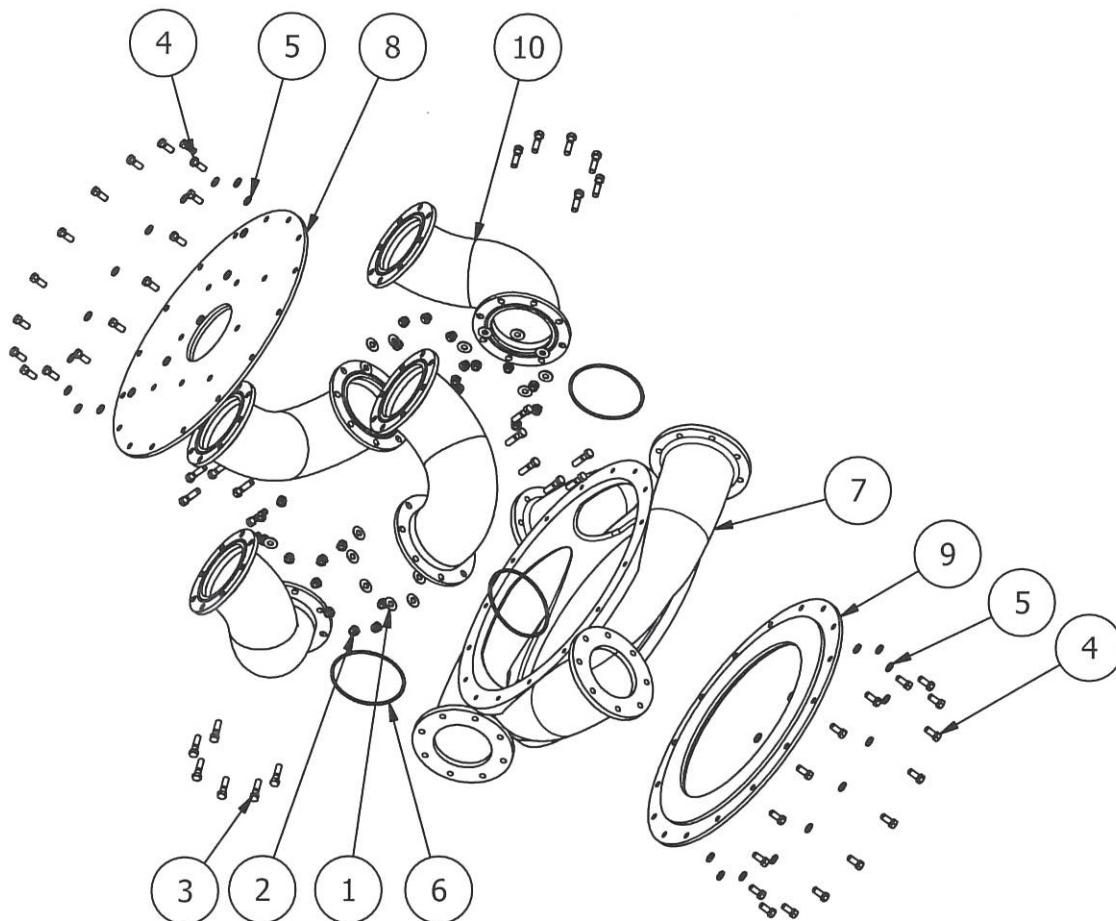
| ITEM | QTY | PART # | DESCRIPTION |
|------|-----|----------|---------------------------------|
| 3 | 1 | N100-596 | Tractor Pump - Header Assembly |
| 4 | 1 | N100-617 | Mech-TC Seal and Bearing System |
| 6 | 60 | N100-903 | Nut - Nylock |
| 7 | 25 | N100-904 | Nut - Nylock |
| 8 | 8 | N100-905 | Nut - Nylock |
| 9 | 48 | N100-909 | Bolt - Hex Head |
| 10 | 8 | N100-911 | Bolt - Hex Head |
| 11 | 9 | N100-914 | Bolt - Hex Head |
| 12 | 2 | N100-992 | Gasket - 11.5" Fill pipe |
| 13 | 16 | N101-187 | Washer - Lock |
| 14 | 2 | N102-483 | Pipe - Pulg - Square Head |
| 15 | 1 | N103-099 | Gasket - 11" Square |
| 16 | 8 | N103-713 | Bolt - Hex Head |
| 18 | 8 | N104-427 | Bolt - Hex Head |
| 19 | 8 | N104-471 | Hyd Adaptor - Straight |

**VERTICAL PIT PUMP - 8FT
8FT DRIVE TUBE ASSEMBLY**



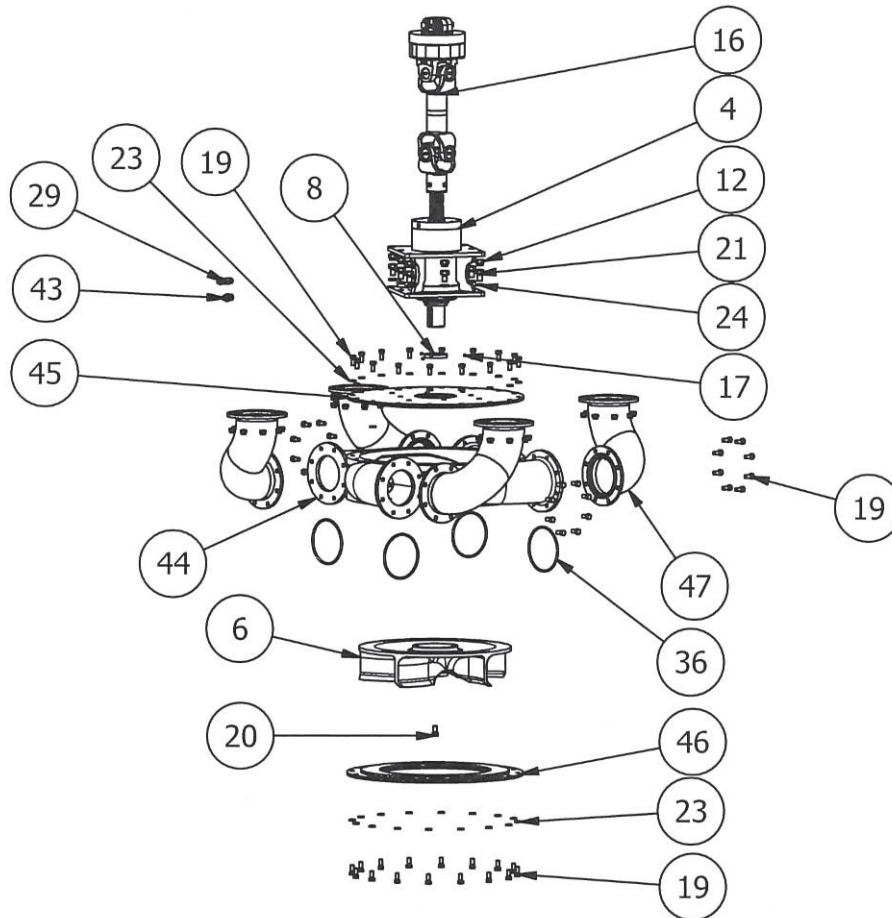
| ITEM | QTY | PART # | DESCRIPTION |
|------|-----|----------|---|
| 1 | 2 | N100-022 | Clean-Out Door |
| 2 | 2 | N100-586 | Tractor Pump - Cooling Line 66" |
| 3 | 1 | N100-604 | Tractor Pump - Main Tube Assembly - 8ft |
| 4 | 18 | N100-902 | Nut - Nylock |
| 5 | 25 | N100-904 | Nut - Nylock |
| 6 | 8 | N100-917 | Bolt - Hex Head |
| 7 | 2 | N100-981 | Gasket - Clean-Out Door |
| 8 | 3 | N101-799 | Clamp - Medium Hydraulic |
| 9 | 1 | N102-008 | Drive shaft - V80 |
| 10 | 2 | N102-248 | Pipe Coupling |
| 11 | 1 | N103-231 | Pipe - 90° Elbow |
| 12 | 1 | N103-720 | Pipe - 90° Elbow |
| 13 | 1 | N104-778 | Hitch Tube Top Clamp w/ Opening |
| 14 | 2 | N104-846 | Hyd Adaptor - Straight |

**LAGOON CRAWLER
CAST HOUSING UPGRADE KIT**



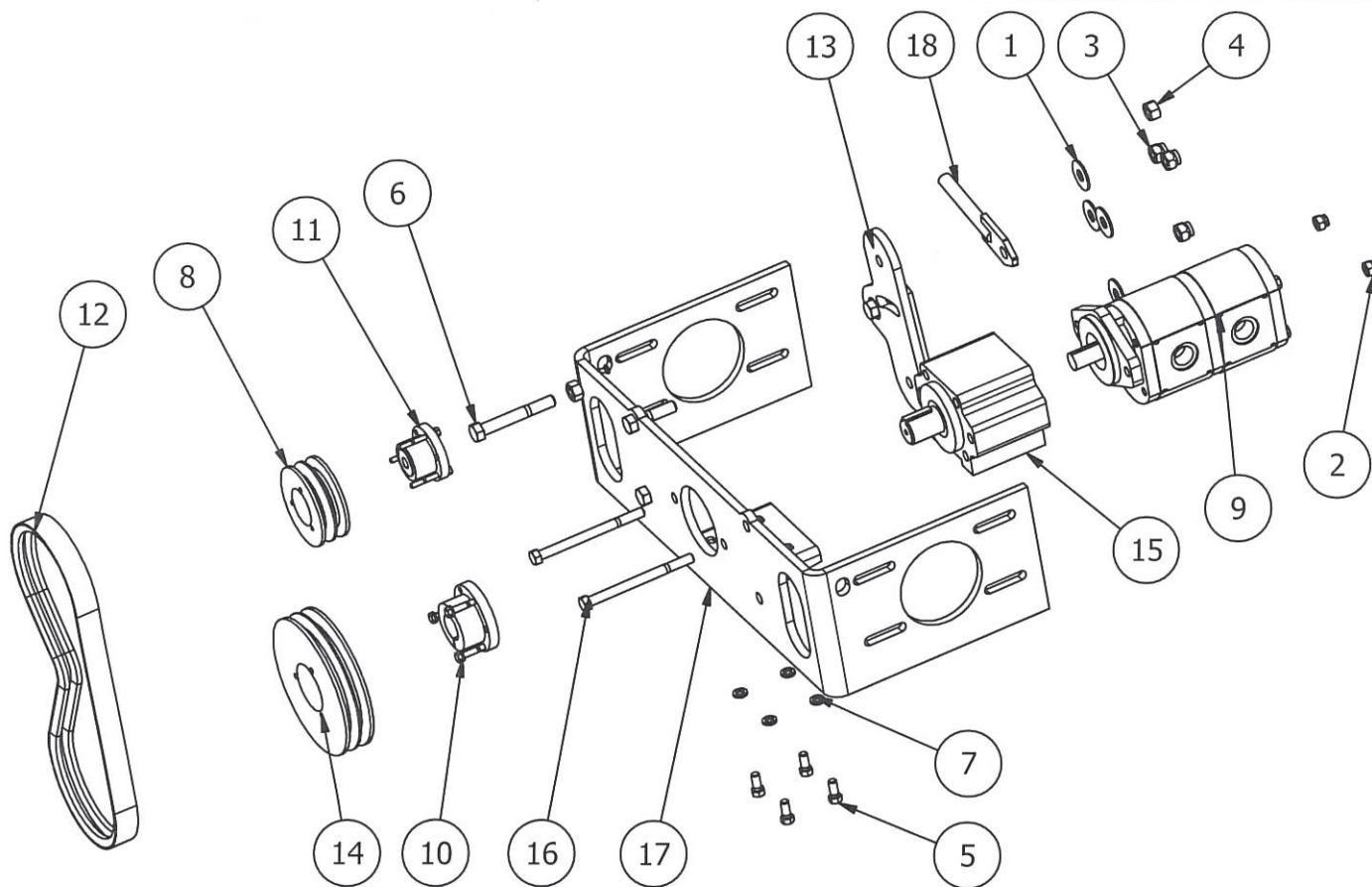
| ITEM | QTY | PART # | DESCRIPTION |
|------|-----|----------|--|
| 1 | 24 | N100-897 | Washer - Flat |
| 2 | 24 | N100-903 | Nut - Nylock |
| 3 | 24 | N100-911 | Bolt - Hex Head |
| 4 | 32 | N101-047 | Bolt - Hex Head |
| 5 | 32 | N101-186 | Washer - Lock |
| 6 | 4 | N103-968 | O-Ring |
| 7 | 1 | N104-500 | 10" Quad Port Housing Casting Finished |
| 8 | 1 | N104-501 | Crawler - Quad Port Cast - Top Housing Cover |
| 9 | 1 | N104-502 | Quad Port Inlet Cover 15" |
| 10 | 4 | N104-504 | Crawler - Quad Port Header Adaptor Pipe |

**LAGOON CRAWLER
PUMP MODULE DETAIL**



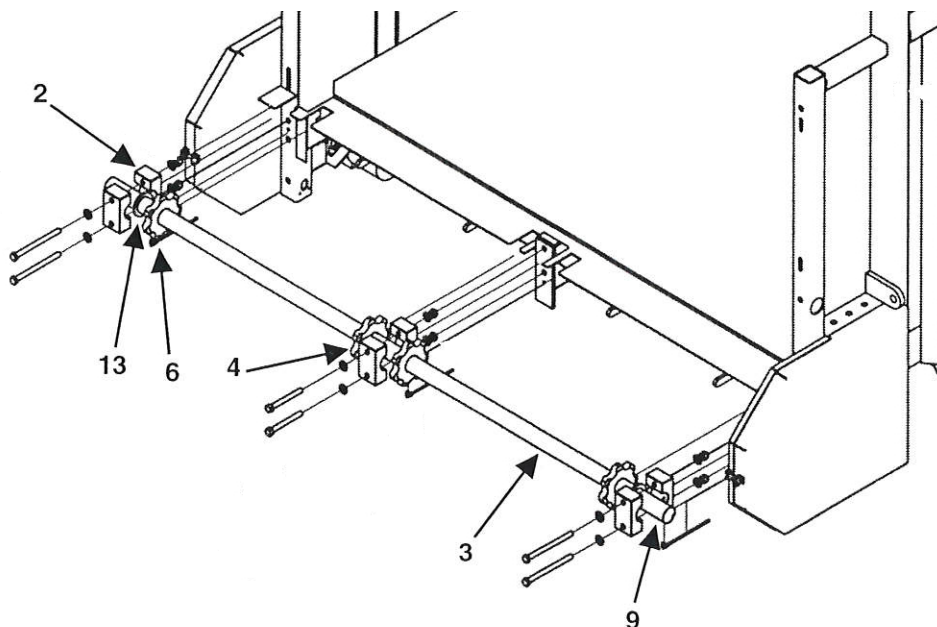
| ITEM | QTY | PART # | DESCRIPTION |
|------|-----|------------|---|
| 4 | 1 | N100-820 | Mech-TC Seal & Bearing System |
| 6 | 1 | N100-841-4 | Cralwer - Impeller |
| 8 | 1 | N100-865 | Mech - TC - Retaining Seal |
| 12 | 8 | N100-905 | Nut - Nylock |
| 16 | 1 | N100-951 | Crawler - Vertical Shaft w/ Integrated Clutch |
| 17 | 3 | N100-960 | Scew - Soc Head Set |
| 19 | 64 | N101-047 | Bolt - Hex Head |
| 20 | 1 | N101-051 | Bolt - Hex Head |
| 21 | 8 | N101-057 | Bolt - Hex Head |
| 23 | 32 | N101-186 | Washer - Lock |
| 24 | 8 | N101-187 | Washer - Lock |
| 29 | 1 | N101-567 | Hyd Adaptor - 90° Elbow |
| 36 | 4 | N103-968 | O-Ring - 359 DAE Buna |
| 43 | 1 | N104-471 | Hyd Adaptor - Straight |
| 44 | 1 | N104-500 | 10" Quad Port Housing Casting |
| 45 | 1 | N104-501 | Crawler - Quad Port Cast - Top Cover |
| 46 | 1 | N104-502 | Quad Port Inlet Cover 15" |
| 47 | 4 | N104-504 | Crawler - Quad Port Header Adaptor Pipe |
| | 1 | N100-878 | Steel Impeller Housing |

**LAGOON CRAWLER
BELT TENSIONER ASSEMBLY**



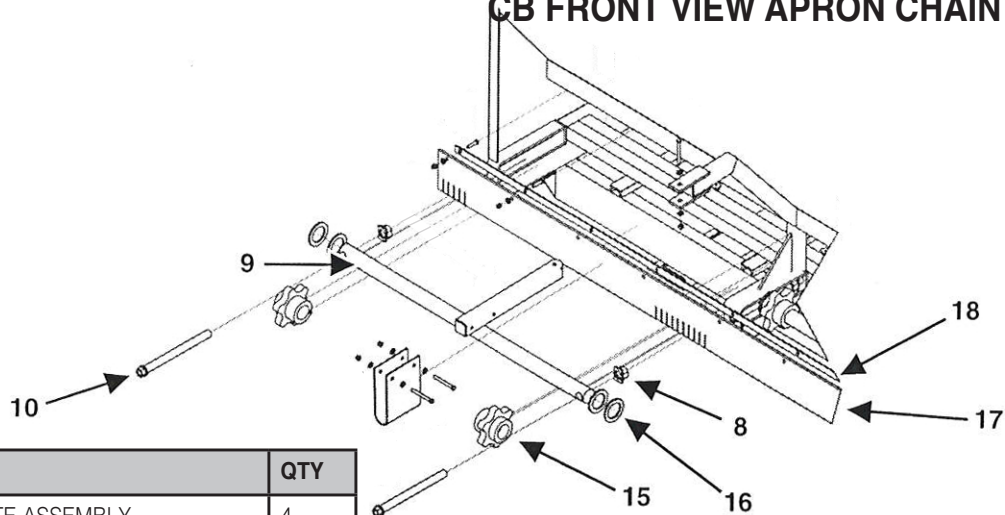
| ITEM | QTY | PART # | DESCRIPTION |
|------|-----|----------|--|
| 1 | 4 | N100-899 | Washer - Flat |
| 2 | 2 | N100-904 | Nut - Nylock |
| 3 | 3 | N100-905 | Nut - Nylock |
| 4 | 2 | N101-018 | Nut |
| 5 | 4 | N101-047 | Bolt - Hex Head |
| 6 | 1 | N101-064 | Bolt - Hex Head |
| 7 | 4 | N101-186 | Washer - Lock |
| 8 | 1 | N103-006 | Crawler - Pulley 5V |
| 9 | 1 | N104-032 | Crawler - Hydraulic Mult Pump |
| 10 | 1 | N104-118 | Crawler - Bushing Sheave 2 5V |
| 11 | 1 | N104-120 | Crawler - Bushing SD-BB Martin Idler |
| 12 | 1 | N104-206 | Crawler - 2/5VX 530 Goodyear Banded Wedge Belt |
| 13 | 1 | N104-533 | Crawler - Belt Tensioner - Pulley Mount |
| 14 | 1 | N104-278 | Crawler - Martin Pulley 2 5V 800SK |
| 15 | 1 | N104-338 | Overhung Load Adaptor |
| 16 | 2 | N104-340 | Bolt - Hex Head |
| 17 | 1 | N104-405 | Crawler - Belt Tensioner Mount Main Frame |
| 18 | 1 | N104-408 | Crawler - Belt Tensioner (Rod Only) |

CB REAR VIEW APRON CHAIN



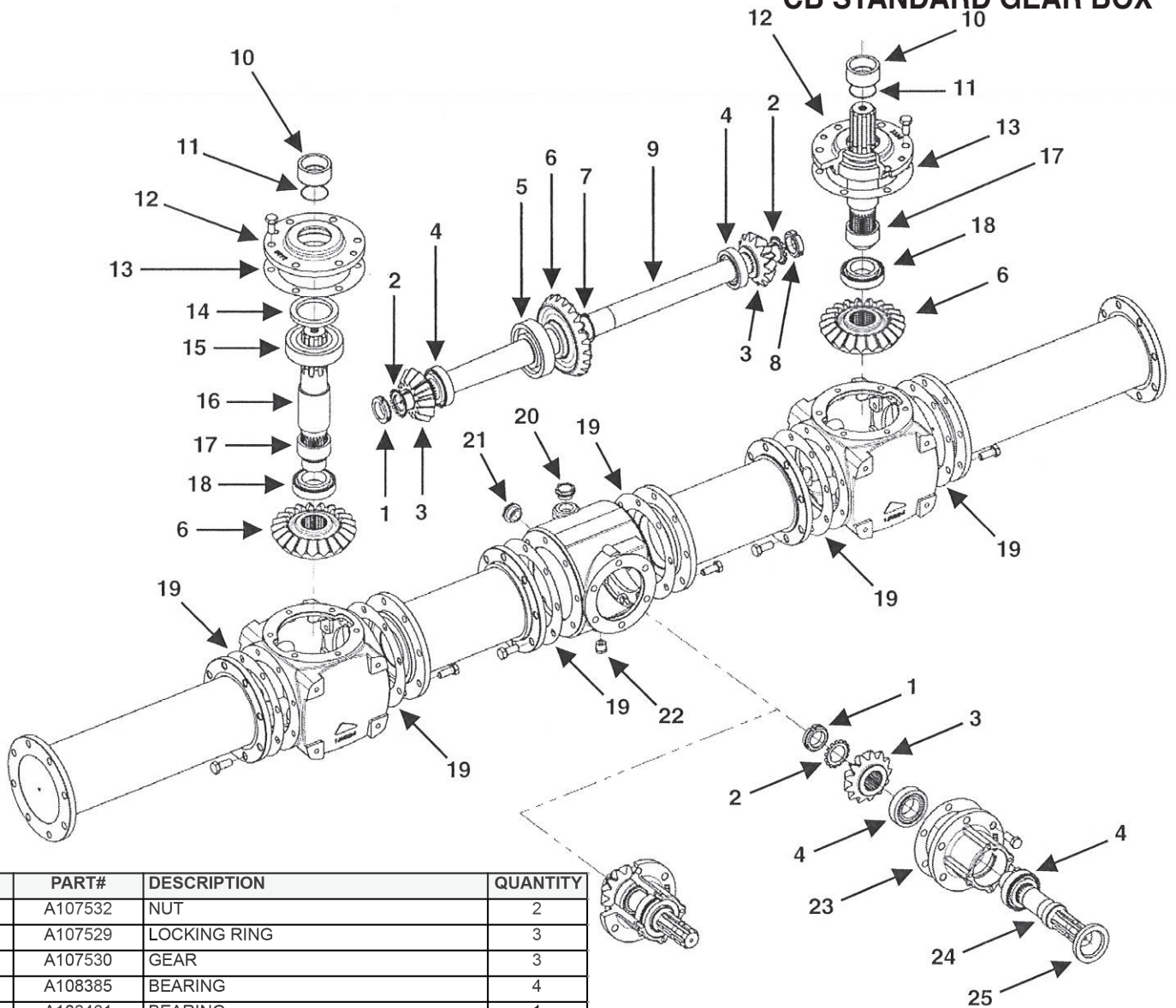
| ITEM | PART # | DESCRIPTION | QTY |
|------|---------|--|-----|
| 2 | A108274 | BEARING, 2.188" W/CTR BTM GR ZERK CARBON FILLED | 3 |
| 3 | A40066 | BX-REAR SHAFT, FLOOR CHAIN | 1 |
| 4 | A108317 | SPROCKET, 7 TOOTH REAR SHAFT | 4 |
| 6 | A107472 | LINCOLN-QL 1/4" TUBE X 1/8" NPT 90° SWIVEL, MALE | 3 |
| 9 | A48040 | BX-REAR SHAFT ASSEMBLY, 7-6" WIDE RW | 1 |
| 13 | A40787 | BX-LOCKING RIN, REAR SHAFT | 2 |

CB FRONT VIEW APRON CHAIN



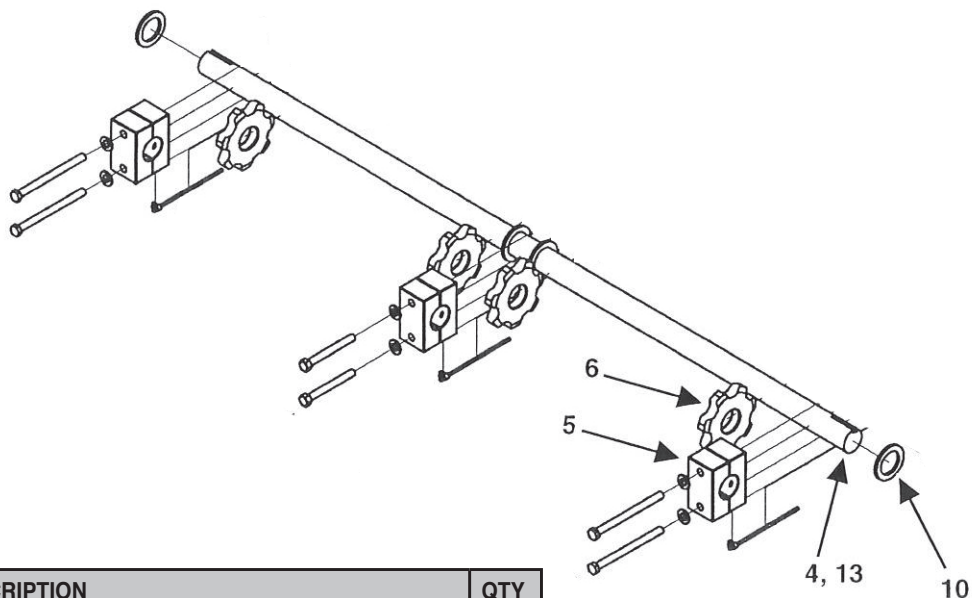
| ITEM | PART # | DESCRIPTION | QTY |
|------|---------|----------------------------------|-----|
| 8 | A40184 | ADJUSTER PLATE ASSEMBLY | 4 |
| 9 | A40147 | BX-FRONT SHAFT, FLOOR CHAIN WR78 | 2 |
| 10 | A40156 | THREADED ROD ADJUSTER ASSEMBLY | 4 |
| 15 | A100850 | SPROCK, PLOY IDLER | 4 |
| | A40544 | SPROCKET, STEEL | 4 |
| 16 | A408787 | BX-LOCK RING, REAR SHAFT | 8 |
| 17 | A40026 | RUBBER FLAP | 1 |
| 18 | A60118 | FLAT BAR | 1 |

CB STANDARD GEAR BOX



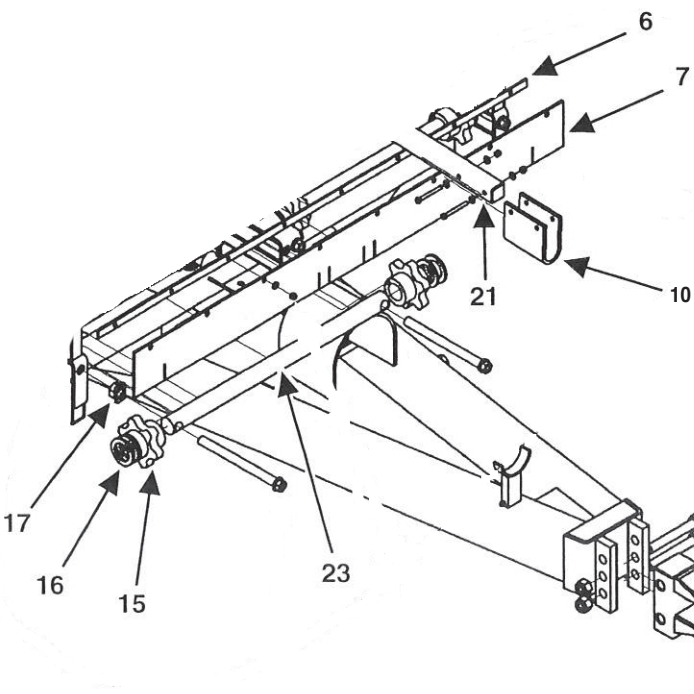
| ITEM | PART# | DESCRIPTION | QUANTITY |
|------|----------|------------------------|----------|
| 1 | A107532 | NUT | 2 |
| 2 | A107529 | LOCKING RING | 3 |
| 3 | A107530 | GEAR | 3 |
| 4 | A108385 | BEARING | 4 |
| 5 | A108461 | BEARING | 1 |
| 6 | A107531 | GEAR | 3 |
| 7 | A107644 | RING, MAIN SHAFT | 1 |
| 8 | A107645 | NUT, MAIN SHAFTRING | 1 |
| 9 | A107643 | SHAFT | 1 |
| 10 | A107646 | CAP | 2 |
| 11 | A107535 | O-RING | 2 |
| 12 | A107536 | CANOPY | 2 |
| 13 | A107537 | GASKET | 2 |
| 14 | A107538 | SEAL | 2 |
| 15 | A109019 | BEARING | 2 |
| 16 | A107647 | SHAFT, GEARBOX CONTROL | 2 |
| 17 | A107648 | CAP | 2 |
| 18 | A108386 | BEARING | 2 |
| 19 | A107541 | GASKET | 6 |
| 20 | A107542 | PLUG | 1 |
| 21 | A1075 43 | PLUG | 1 |
| 22 | A1075 44 | PLUG | 1 |
| 23 | A1075 45 | GASKET | 1 |
| 24 | A107649 | SHAFT, GEARBOX FRONT | 1 |
| 25 | A107546 | SEAL | 1 |

SB REAR VIEW APRON CHAIN

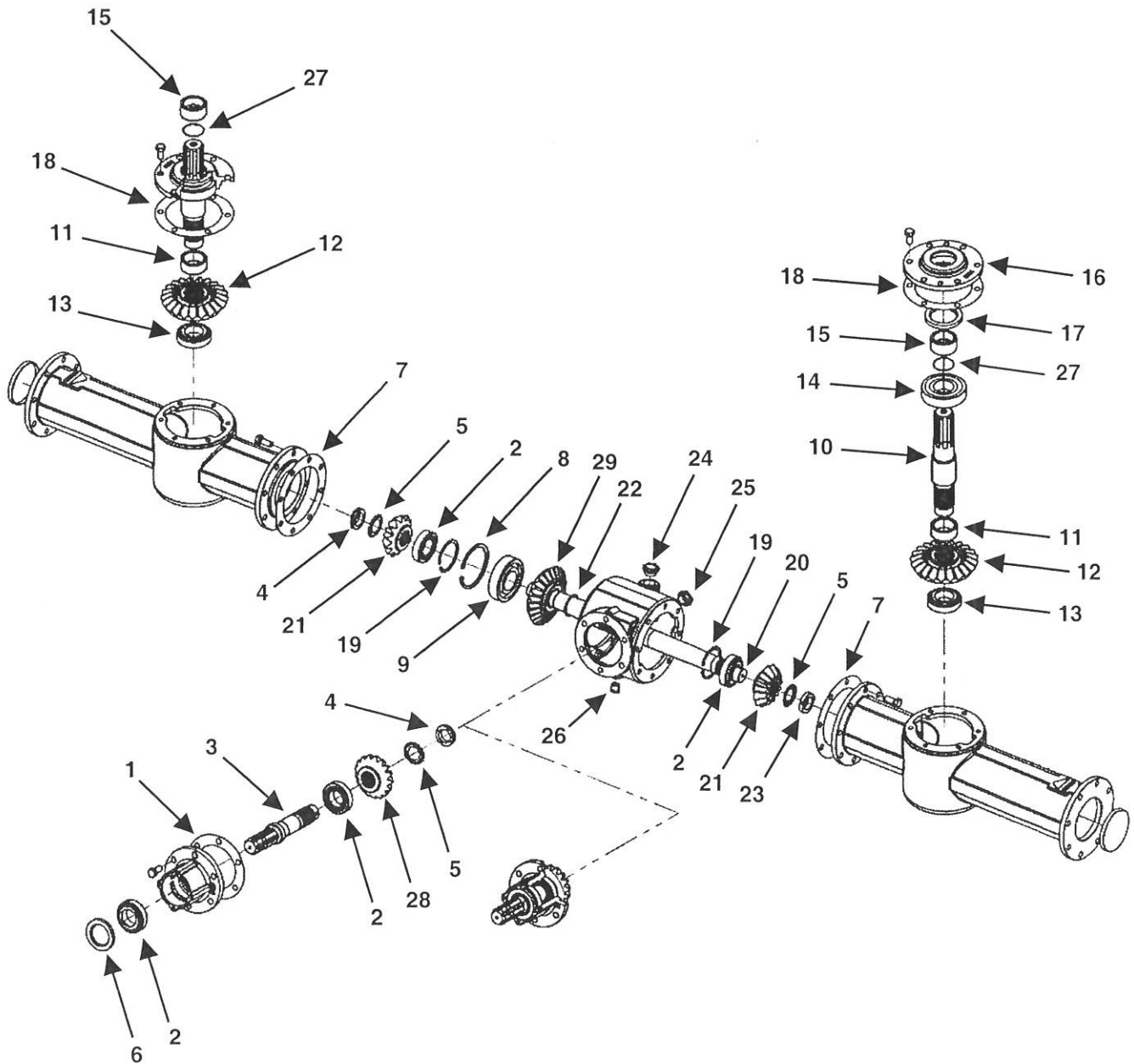


| ITEM | PART # | DESCRIPTION | QTY |
|------|---------|---|-----|
| 4 | A49607 | SHAFT, SB FLOOR CHAIN REAR SHAFT | 1 |
| 5 | A108274 | BEARING, 2.188" W/ CTR BOTTOM GREASE ZERK | 3 |
| 6 | A108317 | SPROCKET-7 TOOTH REAR SHAFT | 4 |
| 10 | A40787 | BX-LOCKING RING, RING SHAFT | 4 |
| 13 | A49606 | SB7 TOOTH REAR SHAFT ASSEMBLY (NOT SHOWN) | 1 |

SB FRONT VIEW APRON CHAIN

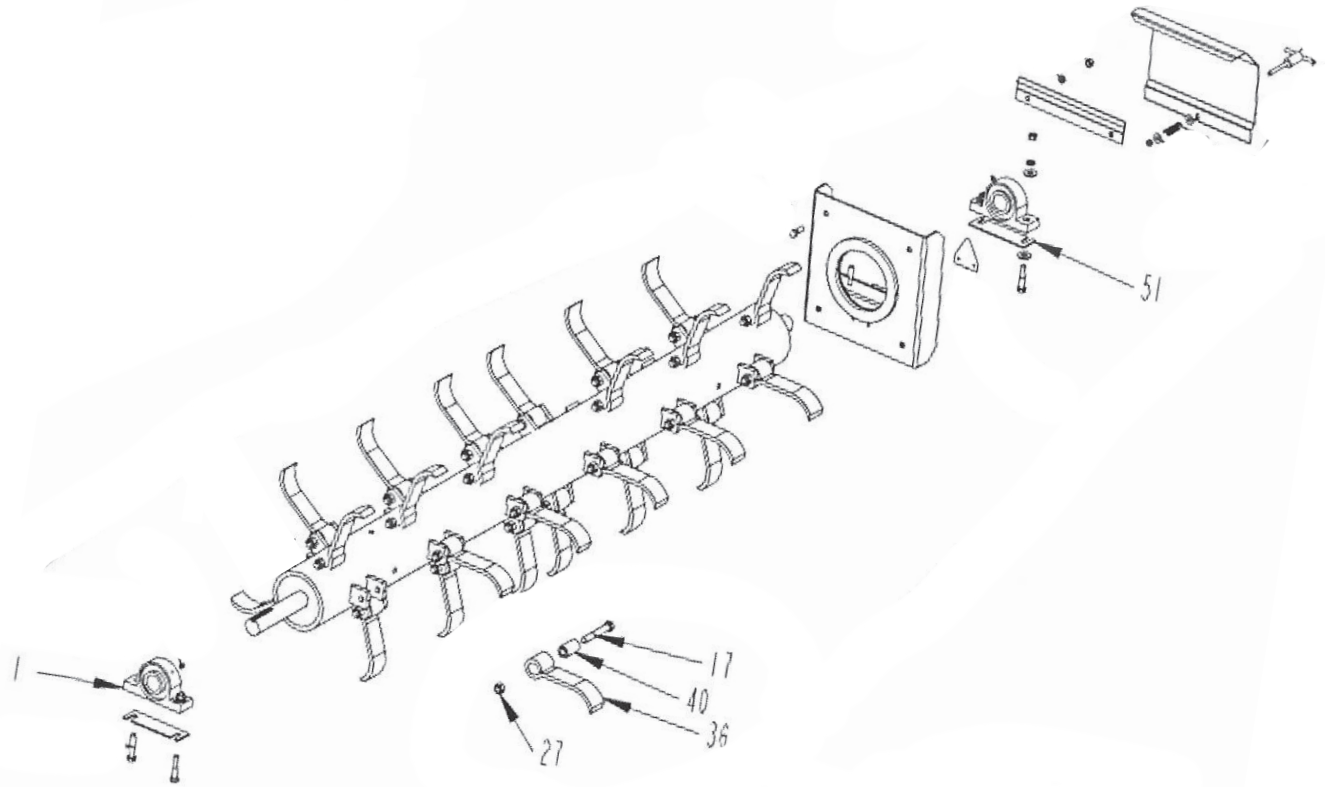


| ITEM | PART # | DESCRIPTION | QTY |
|------|---------|------------------------------------|-----|
| 6 | A49628 | BAR, SB RUBBER FLAT | 1 |
| 7 | A49627 | FLAP, SB FRONT RUBBER | 1 |
| 10 | A48720 | BELTING, RUBBER BLACK 6" 3 PLY | 1 |
| 15 | A100850 | SPROCKET, WR78 POLY IDLER 2" BORE | 4 |
| 16 | A40787 | BX-LOCKING RING, REAR SHAFT | 8 |
| 17 | A40184 | BX - ADJUSTER PLATE / NUT ASSEMBLY | 4 |
| 21 | A46824 | BX - HOSE ARM SUPPORT END | 1 |
| 23 | A49626 | SHAFT, SB FRONT FLOOR CHAIN | 2 |



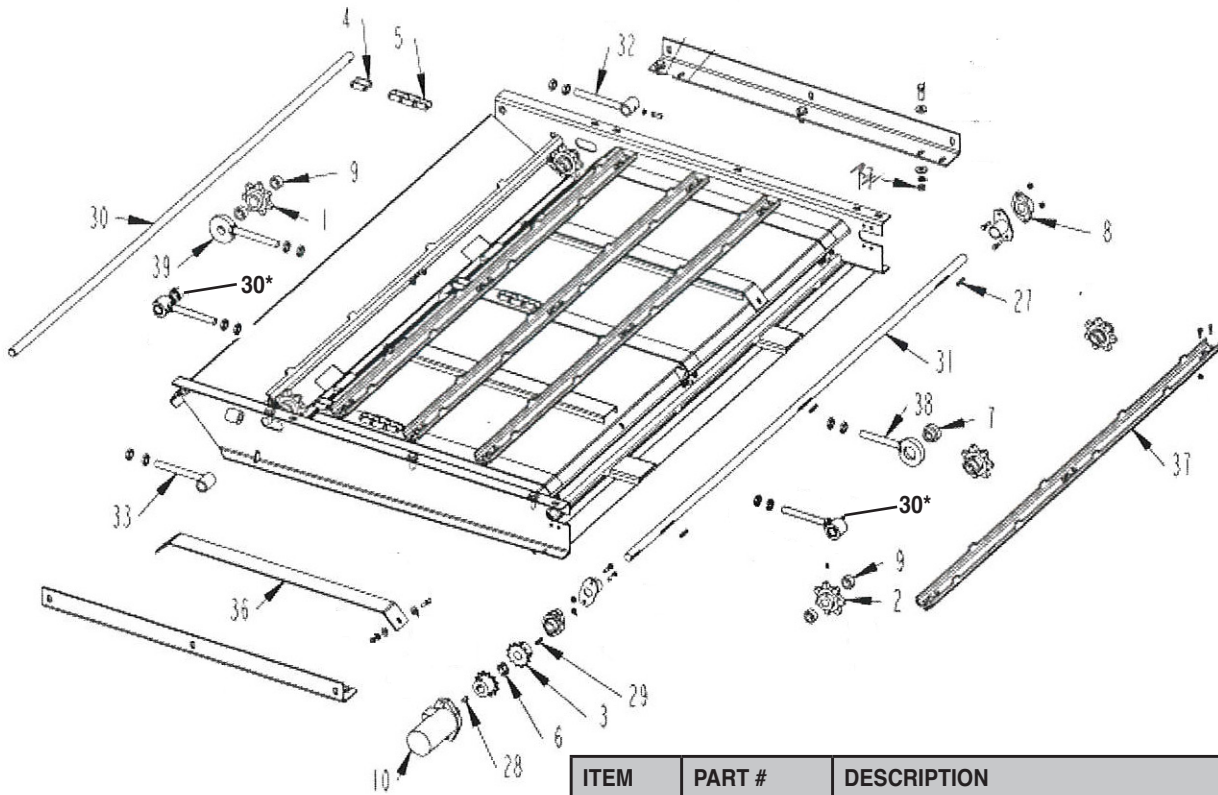
| ITEM | PART# | DESCRIPTION | QTY. |
|------|----------|---------------------------|------|
| 1 | A107545 | GASKET | 1 |
| 2 | A108385 | BEARING | 4 |
| 3 | A107649 | SHAFT, GEARBOX FRONT | 1 |
| 4 | A107532 | NUT | 2 |
| 5 | A107 529 | LOCKING RING | 3 |
| 6 | A107 546 | SEAL | 1 |
| 7 | A10754 1 | GASKET | 2 |
| 8 | A107672 | RING, SNAP - SB GEARBOX | 1 |
| 9 | A108461 | BEARING | 1 |
| 10 | A107673 | SHAFT, SIDE - SB GEARBOX | 2 |
| 11 | A107648 | CAP | 2 |
| 12 | A10753 1 | GEAR | 2 |
| 13 | A108386 | BEAR ING | 2 |
| 14 | A109019 | BEARING | 2 |
| 15 | A107646 | CAP | 2 |
| 16 | A107536 | CANOPY | 2 |
| 17 | A107538 | SEAL | 2 |
| 18 | A107537 | GASKET | 2 |
| 19 | A107674 | RING, SNAP - SB GEARBOX | 2 |
| 20 | A107695 | SEAL, HD | 1 |
| 21 | A107530 | GEAR | 2 |
| 22 | A107644 | RING, GEARBOX MA IN SHAFT | 1 |
| 23 | A107645 | NUT MAIN SHAFT RING RH | 1 |
| 24 | A107542 | PLUG | 1 |
| 25 | A107543 | PLUG | 1 |
| 26 | A107544 | PLUG | 1 |
| 27 | A107535 | O -RING | 2 |
| 28 | A107676 | GEAR, SB GEARBOX Z17 | 1 |
| 29 | A107677 | GEAR, SB GEARBOX Z24 | 1 |

HAYBUSTER 2650 & 2655 ROTOR ASSEMBLY



| ITEM | PART # | DESCRIPTION | QTY - 2650 | QTY - 2655 |
|------|-----------|---------------------------|------------|------------|
| 1 | HB2000514 | BRG\PB\1-3/4\BOLT\MALLEA | 2 | 2 |
| 17 | HB4800598 | BOLT\HEX\ | 30 | 40 |
| 27 | HB4900179 | NUT\TPLCK\RTR\ | 30 | 40 |
| 36 | HB5200012 | HMMR\FLAIL\8\HEAVY | 30 | 40 |
| 40 | HB7500223 | BUSH\FLAIL\1-1/4X5/8\8IDX | 30 | 40 |
| 51 | HB8100890 | SHM\10GA\BRG\RTR | 2 | 2 |

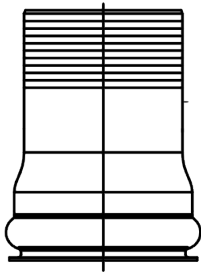
HAYBUSTER 2650 & 2655 ROTOR ASSEMBLY



| ITEM | PART # | DESCRIPTION | QTY |
|------|-----------|---|-----|
| 1 | HB1000088 | SPKT\662\7\1\IDLER CAST | 3 |
| 2 | HB100089 | SPKT\662\7\1\1\4KW\DR | 3 |
| 3 | HB1000233 | SPKT\CPLNG\60\12\1\HT\ | 2 |
| 4 | HB1100103 | CHAIN\620CA\CL | 3 |
| 5 | HB1100150 | CHAIN\620CA\53\W\ATTCH | 3 |
| 6 | HB1100240 | CHAIN\60\12\CPLNG\W-CL\ | 1 |
| 7 | HB2000047 | BRG\W\CLLR\1\FHR\205-16 | 1 |
| 8 | HB2000310 | BRG\FLG\CAST\1\2BOLT | 2 |
| 9 | HB2000809 | CLLR\SHFT\1\SET | 12 |
| 10 | HB3900025 | MTR\HYD\17.9\H\AMNT | 1 |
| 27 | HB6200005 | KEY\SQ\1\4X1-1\2 | 3 |
| 28 | HB6200011 | KEY\WDF\1\4X1\#15\808 | 1 |
| 29 | HB6200014 | KEY\SQ\1\4X1-1\4 | 1 |
| 30 | HB8100779 | SHFT\IDLER\CNVYR | 1 |
| 31 | HB8100780 | SHFT\DR\76\CNVYR | 1 |
| 32 | HB8100783 | BRKT\SHAFT\IDLER\CNVRY | 1 |
| 33 | HB8101022 | BRKT\SHAFT\IDLER\NO-TAP | 1 |
| 36 | HB8101052 | SLIDE\CNVRY\ | 2 |
| 37 | HB8101053 | SLAT\CNVYR\3CH\ | 9 |
| 38 | HB810696 | MNT\BRG\SHAFT\DRIVE\CNVYR | 1 |
| 39 | HB8101699 | SUP\SHFT\IDLER\CNVRY | 1 |
| *30 | HB8100585 | SUP\SHFT\DRIVE\CNVYR\ FOR SER# 26-HJ-461050 & DOWN | 2 |

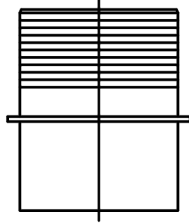
STRAIGHT ADAPTORS

Female w/ clamp



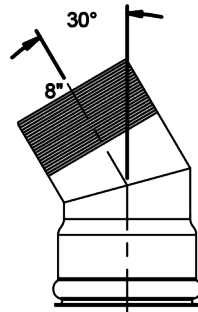
6" - 10-76-0973F
8" - 10-76-1951

Male



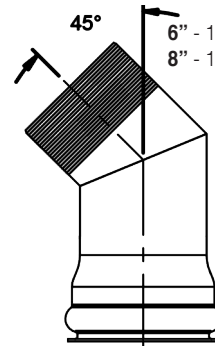
6" - 10-77-1657
8" - 10-77-1658

30° ELBOW



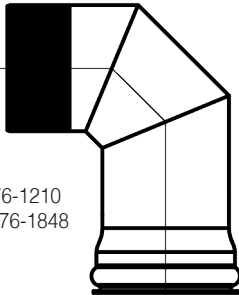
8" 10-77-2582

45° ELBOW w/ clamp



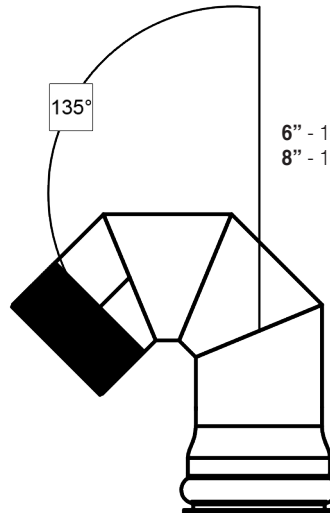
6" - 14-76-0981
8" - 10-76-1967

90° ELBOW w/ clamp



6" - 10-76-1210
8" - 10-76-1848

135° ELBOW w/ clamp



6" - 14-76-0980
8" - 10-76-1856

RINGLOCK CAP



6" - 10-77-0467
8" - 10-77-1265

GASKET



6" - 10-39-0116
8" - 10-39-0364

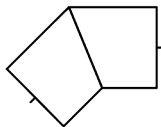
CLAMP



6" - 10-47-1065
8" - 10-47-0318

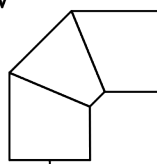
WELDABLE FITTINGS

45° Elbow



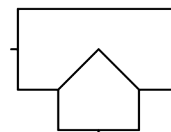
6" - 10-77-3029F
8" - 10-77-1396F

90° Elbow



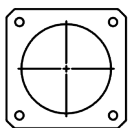
6" - 10-77-3031F
8" - 10-77-1398F

"T" Adaptor



6" - 6-0295
8" - 6-0296

4 BOLT FLANGES



6" - 11-15-2134
8" - AWS1010

FEMALE WELD ON



6" - 10-47-0164
8" - 10-47-0317

BARB



6" - 10-16-0030
8" - 10-19-5153

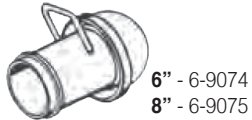
REDUCER CONE



4x6 - 6-1130
6x8 - SC6-8
8x10 - 6-1133

ITALIAN FITTINGS

MALE HOSE END



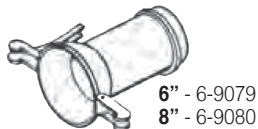
O-RING



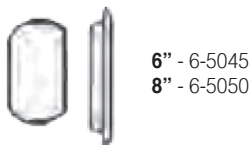
WELD-ON SOCKET



FEMALE HOSE END



WELD-ON BALL & RING

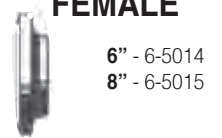


BAUER FITTINGS

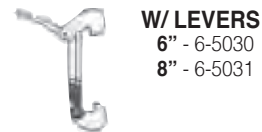
WELD-ON BALL



WELD-ON FEMALE



RING



O-RING

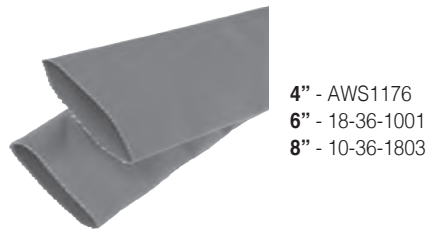


CAMLOCK FITTINGS

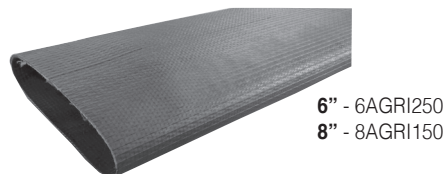


* Many other sizes and styles available.
Call for availability.

HEAVY DUTY RED LAYFLAT HOSE



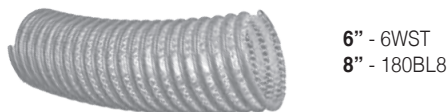
HIGH PRESSURE BLACK LAYFLAT HOSE



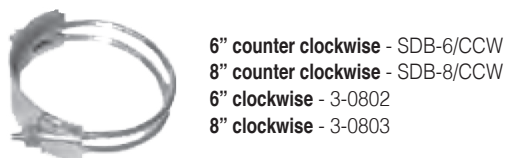
GALVANIZED T-BOLT CLAMPS



HEAVY DUTY SUCTION HOSE



SPIRAL CLAMPS



GREEN & CLEAR INJECTOR HOSE



STAINLESS STEEL CLAMPS FOR INJECTOR HOSE



DRAG HOSE FITTINGS & ACCESSORIES

HARDMENDER



5" - 370000555
5.5" - 370000655
6" - 370000456
8" - FSM608

CLAMP



6" - 370000669
8" - 370000889

PULL COUPLER



5" - 370000755
5.5" - FSC0055
6" - 370000006
8" - FSC668

GASKET



6" - 370000665
8" - FSC8G

ORANGE BALL



6" - 370000073
8" - 80848

FOAM PIG



6" - 80804
8" - 80805

HOSE PINCHER



6" - 80870
8" - 80875

BRASS GATE VALVES



6" - 9-5473
8" - 4008.28
6" handle - 2007.52
8" handle - 2007.53

CYLINDERS



6" actuator - 4900.42
6" 2-way actuator - 4900.44
8" actuator - 4900.43
8" 2-way actuator - 4900.49

TRASH TRAP



6" - TRASHTRAP1.5
8" - TRASHTRAP81.5

Members of our Team

Sales Team

Leon Mulder
(712) 261-0606
leon@automatedwastesystems.com

Dave Mulder

(712) 229-9620
dave@automatedwastesystems.com

Jim Smits

(712) 229-0357
jim@automatedwastesystems.com

Jason Baumgarn

(712) 541-4353
jason@automatedwastesystems.com

Matt Becker

(712) 221-9865
matt@automatedwastesystems.com

General Manager

Luke Jungers
(712) 261-1910
luke@automatedwastesystems.com

Parts Manager

Randy Brands
(712) 439-3344
randy@automatedwastesystems.com

Service Manager

Tim Draayer
(712) 439-2081
tim@automatedwastesystems.com

Shop Foreman

Marschall Van Schepen
(712) 439-2081

General Manager - Watertown, SD

Michael Britt
(605) 880-3886
michael@automatedwastesystems.com

Sales Team - Watertown, SD

Joe Hauck
(605) 880-4680
joe@automatedwastesystems.com

Shop Manager - Watertown, SD

Tim Mohning
(605) 753-0300
servicesd@automatedwastesystems.com

At AWS, we service what we sell!

Houle Manure Tank Inspection Options

- Inspect and service *tandem* axle tank
- Inspect and service *three* axle tank
- Inspect and service *four* axle tank



The above inspections include:

- 40 point inspection
- Bearing housing oil change, grease, repacking wheel bearings (wheel seals, dust cap seals and cotter pins are included)
- Pickup and delivery of tank

Inspections do NOT include:

- Greasing and repair of toolbar and incorporators
- Parts and labor for any repair work
- Repair work will not be done unless customer gives prior approval

Parts Special

Service, Inspection & Parts. *Valid once per year, per customer*



Proud Dealers of:



GEA Houle Equipment
Liquid manure tanks and pumps, complete manure scraper and separator systems



Nuhn
Liquid manure handling equipment, Lagoon Agitation Crawler



Artex
Combination manure/silage pull type & truck mount spreaders and trailers, silage trailer, saw dust and sand throwers



Farmstar
Complete drag hose reel systems, toolbars, stationary transfer pumps, and Phantom - rolling till injectors



McLanahan
Sand processing, manure solid, separation, nutrient management



Doda
Manure pumps, agitators, and screw separators



Waste Away
Biological manure treatment pit additive



Nitro-Hold
Nitrogen Stabilizer



T-L Irrigation
Irrigation equipment



Haybuster
Bale shredding equipment



Kifco
PTO & electric pumps, and water reels



Mensch Mfg.
Dairy free stall bedding systems for sand or sawdust and stall grooming equipment, rubber tire scrapers



Dryhill Mfg.
Liquid manure pumps



Balzer

www.automatedwastesystems.com



Hull, IA
(712) 439-2081
TF (866) 918-2081

Watertown, SD
(605) 753-0300
TF (844) 863-6554